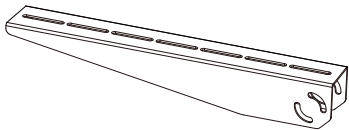
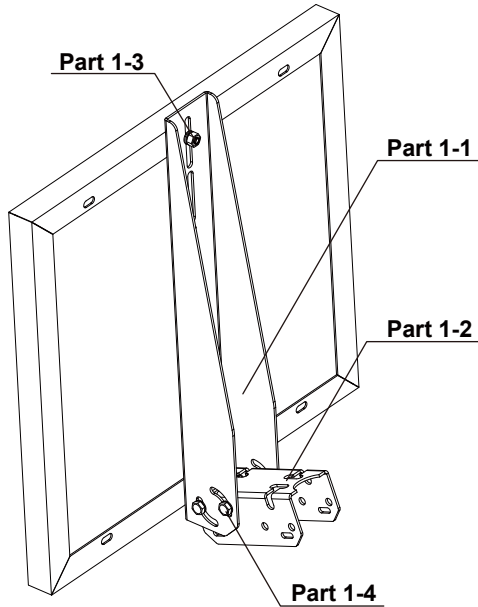


SLB-0112 | Installation Manual

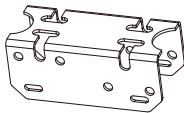
Universal Flat Mount Bracket kit

The Solarland® SLB-0112 mounting kit has been specifically design for use with the Solarland® SLP Series 30W – 60W panels. This mount is a fixed, flat or pole mount design giving a tilt angle range of 0° - 90°

Component And Parts



Part 1-1	
Component	Tilt Arm
Material	5052Al
Quantity	1



Part 1-2	
Component	Fixed Bracket
Material	5052Al
Quantity	1



Part 1-3	
Component	Mounting Bolt(M6)
Material	AISI304
Quantity	2



Part 1-4	
Component	Mounting Bolt(M8)
Material	AISI304
Quantity	4

Step1. Assemble the tilt arm (Part 1-1) and place against the center frame of the PV module. Align the holes from top to bottom as shown in figure 1. You may need to lubricate all nuts and bolts to facilitate an easy removal at a later date.

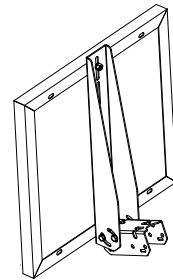


figure 1

Step2. Attach the tilt arm (Part 1-1) and fixed bracket (Part 1-2) to the bottom portion of the PV module frame. Use (1) M6 module bolts (Part 1-3) a top of the PV frame and (1) M6 at the bottom to secure where the tilt arm and fixed bracket meet. Use (4) M8 mounting bolts (Part 1-4) along with washers, lock washers and nuts at the bottom portion of PV frame. Note: See the illustration of components and parts on the top left side of installation manual. Install (2) M8 mounting bolts on each side of the fixed bracket.

CAUTION: Additional mounting holes may be required if using this mount with a panel other than a Newpowa (NPA series). Great care should be taken when drilling additional holes as damage to the panel can easily occur, rendering it useless.

Step3. To adjust the tilt angle of the PV module, change the location of the M8 bolts in the arc hole of the tilt arm (Part 1-1). Remember to use the lock washers to prevent vibration from working them loose.

Step4. For pole mounting, use the steel clamps to fix the PV module and mount assembly securely to the pole. See figure 2. Attention: U-Bolts and Molly Bolts are not included in the kit.

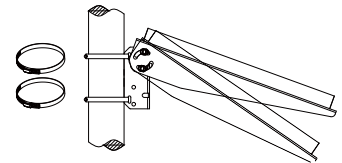


figure 2

Note:

For vertical wall mounting, drill holes on the mounting place to be installed according to size of the fixed bracket. Embed two M8 molly bolts into the mounting surface. **See figure 3.** Use washers and lock washers and nuts to secure the PV module and mount assembly to the wall surface.

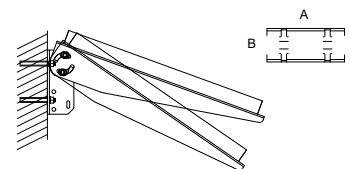


figure 3