

Manual

EN

Handleiding

NL

Manuel

FR

Anleitung

DE

Manual

ES

Användarhandbok

SE

Manuale

IT

Appendix

BlueSolar charge controllers

MPPT 75/10

MPPT 75/15

MPPT 100/15

MPPT 100/20-48V

1 General Description

1.1 Ultra fast MPPT tracking

Especially in case of a clouded sky, when light intensity is changing continuously, a fast MPPT algorithm will improve energy harvest by up to 30% compared to PWM charge controllers and by up to 10% compared to slower MPPT controllers.

1.2 VE.Direct

For a wired data connection to a Color Control panel, PC or other devices

1.3 Load output

Deep discharge of the battery can be prevented by connecting all loads to the load output. The load output will disconnect the load when the battery has been discharged to a pre-set voltage.

Alternatively, an intelligent battery management algorithm can be chosen: see Battery Life.

The load output is short circuit proof.

Some loads (especially inverters) can best be connected directly to the battery, and the inverter remote control connected to the load output. A special interface cable may be needed, please see section 3.6.

1.4 Battery Life: intelligent battery management

When a solar charge controller is not able to recharge the battery to its full capacity within one day, the result is often that the battery will continually be cycled between a 'partially charged' state and the 'end of discharge' state. This mode of operation (no regular full recharge) will destroy a lead-acid battery within weeks or months.

The Battery Life algorithm will monitor the state of charge of the battery and, if needed, day by day slightly increase the load disconnect level (i.e. disconnect the load earlier) until the harvested solar energy is sufficient to recharge the battery to nearly the full 100%. From that point onwards the load disconnect level will be modulated so that a nearly 100% recharge is achieved about once every week.

1.5 Three step charging

The controller is configured for a three step charging process: Bulk – Absorption - Float. See section 3.8 and section 5 for default settings.

See section 1.8 for user defined settings

1.5.1. Bulk

During this stage the controller delivers as much charge current as possible to rapidly recharge the batteries.

1.5.2. Absorption

When the battery voltage reaches the absorption voltage setting, the controller switches to constant voltage mode.

When only shallow discharges occur the absorption time is kept short in order to prevent overcharging of the battery. After a deep discharge the absorption time is automatically increased to make sure that the battery is completely recharged.

Additionally, the absorption period is also ended when the charge current decreases to less than 1A.

1.5.3. Float

During this stage, float voltage is applied to the battery to maintain a fully charged state.

1.5.4. Equalization

See section 3.9

1.6 Internal temperature sensor

Compensates absorption and float charge voltages for temperature (range 6°C to 40°C)

1.7 Optional external voltage and temperature sensor (range -20°C to 50°C)

The **Smart Battery Sense** is a wireless battery voltage-and-temperature sensor for Victron MPPT Solar Chargers. The Solar Charger uses these measurements to optimize its charge parameters. The accuracy of the data it transmits will improve battery charging efficiency, and prolong battery life (VE.Direct Bluetooth Smart dongle needed).

Alternatively, **Bluetooth communication** can be set up between a **BMV-712 battery monitor** with battery temperature sensor and the solar charge controller

(VE.Direct Bluetooth Smart dongle needed). For more detail please enter *smart networking* in the search box on our website.

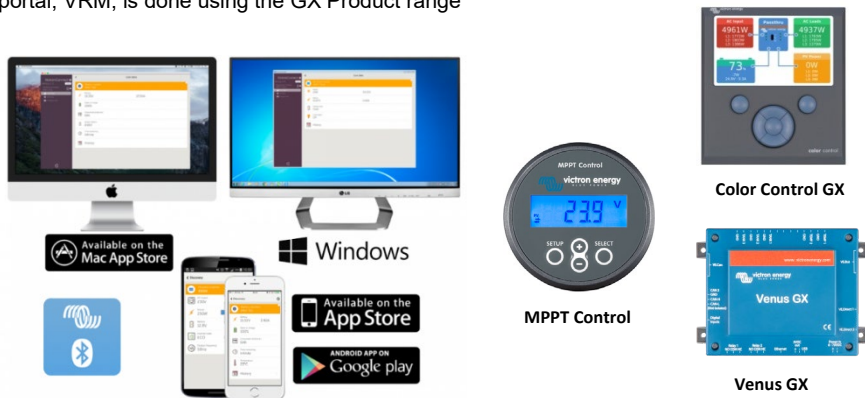
1.8 Automatic battery voltage recognition

The controller will automatically adjust itself to a 12V or a 24V system **one time only**. If a different system voltage is required at a later stage, it must be changed manually, for example with the Bluetooth app, see section 3.8.

1.9 Configuring and monitoring

Configure the solar charge controller with the VictronConnect app. Available for iOS & Android devices; as well as macOS and Windows computers. An accessory might be required; enter *victronconnect* in the search box on our website and see the VictronConnect download page for details.

For simple monitoring, use the MPPT Control; a panel mounted simple yet effective display that shows all operational parameters. Full system monitoring including logging to our online portal, VRM, is done using the GX Product range



2. IMPORTANT SAFETY INSTRUCTIONS

SAVE THESE INSTRUCTIONS - This manual contains important instructions that shall be followed during installation and maintenance.



Danger of explosion from sparking

Danger of electric shock

- It is advised to read this manual carefully before the product is installed and put into use.
- This product is designed and tested in accordance with international standards. The equipment should be used for the designated application only.
- Install the product in a heatproof environment. Ensure therefore that there are no chemicals, plastic parts, curtains or other textiles, etc. in the immediate vicinity of the equipment.
- The product is not allowed to be mounted in a user accessible area.
- Ensure that the equipment is used under the correct operating conditions. Never operate it in a wet environment.
- Never use the product at sites where gas or dust explosions could occur.
- Ensure that there is always sufficient free space around the product for ventilation.
- Refer to the specifications provided by the manufacturer of the battery to ensure that the battery is suitable for use with this product. The battery manufacturer's safety instructions should always be observed.
- Protect the solar modules from incident light during installation, e.g. cover them.
- Never touch uninsulated cable ends.
- Use only insulated tools.
- Connections must always be made in the sequence described in section 3.5.
- The installer of the product must provide a means for cable strain relief to prevent the transmission of stress to the connections.
- In addition to this manual, the system operation or service manual must include a battery maintenance manual applicable to the type of batteries used.

3. Installation

WARNING: DC (PV) INPUT NOT ISOLATED FROM BATTERY CIRCUIT

CAUTION: FOR PROPER TEMPERATURE COMPENSATION THE AMBIENT CONDITION FOR CHARGER AND BATTERY MUST BE WITHIN 5°C.

3.1. General

- Mount vertically on a non-flammable substrate, with the power terminals facing downwards. Observe a minimum clearance of 10 cm under and above the product for optimal cooling.
- Mount close to the battery, but never directly above the battery (in order to prevent damage due to gassing of the battery).
- Improper internal temperature compensation (e.g. ambient condition battery and charger not within 5°C) can lead to reduced battery lifetime.

We recommend using a direct battery voltage sense source (BMV, Smart Battery Sense or GX device shared voltage sense) if larger temperature differences or extreme ambient temperature conditions are expected.

- Battery installation must be done in accordance with the storage battery rules of the Canadian Electrical Code, Part I.
- The battery and PV connections must be guarded against inadvertent contact (e.g. install in an enclosure or install the optional WireBox S).

3.2 Grounding

- *Battery grounding*: the charger can be installed in a positive- or negative-grounded system.

Note: apply a single ground connection (preferably close to the battery) to prevent malfunctioning of the system.

- *Chassis grounding*: A separate earth path for the chassis ground is permitted because it is isolated from the positive and negative terminal.
- The USA National Electrical Code (NEC) requires the use of an external ground fault protection device (GFPD). These MPPT chargers do not have internal ground fault protection. The system electrical negative should be bonded through a GFPD to earth ground at one (and only one) location.
- The plus and minus of the PV array should not be grounded. Ground the frame of the PV panels to reduce the impact of lightning.

WARNING: WHEN A GROUND FAULT IS INDICATED, BATTERY TERMINALS AND CONNECTED CIRCUITS MAY BE UNGROUNDED AND HAZARDOUS.

3.3. PV configuration (also see the MPPT Excel sheet on our website)

- Provide means to disconnect all current-carrying conductors of a photovoltaic power source from all other conductors in a building or other structure.
- A switch, circuit breaker, or other device, either ac or dc, shall not be installed in a grounded conductor if operation of that switch, circuit breaker, or other device leaves the grounded conductor in an ungrounded state while the system remains energized.

- The controller will operate only if the PV voltage exceeds battery voltage (V_{bat}).
- PV voltage must exceed $V_{bat} + 5V$ for the controller to start. Thereafter minimum PV voltage is $V_{bat} + 1V$.
- Maximum open circuit PV voltage: 75V respectively 100V

For example:

12V battery and mono- or polycrystalline panels connected to a 75V controller

- Minimum number of cells in series: 36 (12V panel).
- Recommended number of cells for highest controller efficiency: 72 (2x 12V panel in series or 1x 24V panel).
- Maximum: 108 cells (3x 12V panel in series).

24V battery and mono- or polycrystalline panels connected to a 100V controller

- Minimum number of cells in series: 72 (2x 12V panel in series or 1x 24V panel).
- Maximum: 144 cells (4x 12V panel in series).

Remark: at low temperature the open circuit voltage of a 108 cell array may exceed 75V and the open circuit voltage of a 144 cell solar array may exceed 100V, depending on local conditions and cell specifications. In that case the number of cells in series must be reduced.

3.4 Cable connection sequence (see figure 3)

First: connect the cables to the load, but ensure that all loads are switched off.

Second: connect the battery (this will allow the controller to recognize system voltage).

Third: connect the solar array (when connected with reverse polarity, the controller will heat up but will not charge the battery).

Torque: 0,75 Nm

The system is now ready for use.

3.5 Configuration of the controller

The VE.Direct communication port (see sect. 1.9) can be used to configure the controller. (dongle needed when using the Bluetooth app)

3.6 The load output (see figure 1 and 2 at the end of the manual)

The VE.Direct communication port (see sect. 1.8) can be used to configure the load output. (dongle needed when using the Bluetooth app)

Alternatively, a jumper can be used to configure the load output as follows:

- **No jumper:** BatteryLife algorithm (see 1.4)
- **Jumper between pin 1 and pin 2:** conventional
Low voltage load disconnect: 11,1V or 22,2V
Automatic load reconnect: 13,1V or 26,2V
- **Jumper between pin 2 and pin 3:** conventional
Low voltage load disconnect: 11,8V or 23,6V
Automatic load reconnect: 14V or 28V

Some loads with high inrush current can best be connected directly to the battery. If equipped with a remote on-off input, these loads can be controlled by connecting the load output of the controller to this remote on-off input. A special interface cable may be needed. Alternatively, a BatteryProtect may be used to control the load. Please see our website for specifications.

Low power inverters, such as the **Phoenix VE.Direct inverters** up to 375VA, can be powered directly by the load output, but the maximum output power will be limited by the current limit of the load output.

Phoenix VE.Direct inverters can also be controlled by connecting the left side connection of the remote control to the load output.

The bridge on the remote control between left and right must be removed.

The Victron inverters model Phoenix 12/800, 24/800, 12/1200 and 24/1200 can be controlled by connecting the right side connection of the inverter remote control directly to the load output (see figure 4 at the end of this manual).

For the Victron inverters model Phoenix 12/180, 24/180, 12/350, 24/350, the Phoenix Inverter Compact models and the MultiPlus Compact models an interface cable is needed: the Inverting remote on-off cable, article number ASS030550100, see figure 5 at the end of this manual.

3.7 LEDs

Green LED: indicates which load output control algorithm has been chosen.

On: one of the two conventional load output control algorithms (see Fig 2)

Blinking: BatteryLife load output control algorithm (see Fig 2)

Yellow LED: signals charge sequence

Off: no power from PV array (or PV array connected with reverse polarity)

Blinking fast: bulk charge (battery in partially charged state)

Blinking slow: absorption charge (battery charged to 80% or more)

On: float charge (battery fully charged)

For the latest and most up-to-date information about the blink codes, please refer to the Victron Toolkit app. Click on or scan the QR code to get to the Victron Support and Downloads/Software page.



3.8 Battery charging information

The charge controller starts a new charge cycle every morning, when the sun starts shining.

Lead-acid batteries: default method to determine length and end of absorption

The charging algorithm behavior of MPPTs differs from AC connected battery chargers. Please read this section of the manual carefully to understand MPPT behavior, and always follow the recommendations of your battery manufacturer.

By default, the absorption time is determined on idle battery voltage at the start of each day based on the following table:

Battery voltage V_b (@start-up)	Multiplier	Maximum absorption time
$V_b < 11,9V$	x 1	6h
$11,9V < V_b < 12,2V$	x 2/3	4h
$12,2V < V_b < 12,6V$	x 1/3	2h
$V_b > 12,6V$	x 1/6	1h

(12V values, adjust for 24V))

Default absorption voltage: 14,4V

Default float voltage: 13,8V

The absorption time counter starts once switched from bulk to absorption.

The MPPT Solar Chargers will also end absorption and switch to float when the battery current drops below a low current threshold limit, the 'tail current'.

The default tail current value is 1A.

For models with a load output the current on the battery terminals is used; and for the larger models; the current on the output terminals is used.

The default settings (voltages, absorption time multiplier and tail current) can be modified with the Victronconnect app via Bluetooth (VE.Direct Bluetooth Smart dongle needed) or via VE.Direct.

There are two exceptions to normal operation:

1. When used in an ESS system; the solar charger algorithm is disabled; and instead it follows the curve as mandated by the inverter/charger.
2. For CAN-bus Lithium batteries, like BYD, the battery tells the system, including the solar charger, what charge voltage to use. This Charge Voltage Limit (CVL) is for some batteries even dynamic; changes over time; based on for example maximum cell voltage in the pack and other parameters.

Variations to expected behaviour

1. Pausing of the absorption time counter

The absorption time counter starts when the configured absorption voltage is reached and pauses when the output voltage is below the configured absorption voltage.

An example of when this voltage drop could occur is when PV power (due to clouds, trees, bridges) is insufficient to charge the battery and to power the loads.

When the absorption timer is paused, the absorption LED will flash very slowly.

2. Restarting the charge process

The charging algorithm will reset if charging has stopped for an hour. This may occur when the PV voltage drops below the battery voltage due to bad weather, shade or similar.

3. Battery being charged or discharged before solar charging begins

The automatic absorption time is based on the start-up battery voltage (see table). This absorption time estimation can be incorrect if there is an additional charge source (eg alternator) or load on the batteries.

This is an inherent issue in the default algorithm. However, in most cases it is still better than a fixed absorption time regardless of other charge sources or battery state.

It is possible to override the default absorption time algorithm by setting a fixed absorption time when programming the solar charge controller. Be aware this can result in overcharging your batteries. Please see your battery manufacturer for recommended settings.

4. Absorption time determined by tail current

In some applications it may be preferable to terminate absorption time based on tail current only. This can be achieved by increasing the default absorption time multiplier. (warning: the tail current of lead-acid batteries does not decrease to zero when the batteries are fully charged, and this "remaining" tail current can increase substantially when the batteries age)

Default setting, LiFePO4 batteries

LiFePO4 batteries do not need to be fully charged to prevent premature failure.

The default absorption voltage setting is 14,2V (28,4V).

And the default absorption time setting is 2 hours.

Default float setting: 13,2V (26,4V).

These settings are adjustable.

Reset of the charge algorithm:

The default setting for restarting the charge cycle is $V_{batt} < (V_{float} - 0,4V)$ for lead-acid, and $V_{batt} < (V_{float} - 0,1V)$ for LiFePO4 batteries, during 1 minute.

(values for 12V batteries, multiply by two for 24V)

3.9 Automatic equalization

Automatic equalization is default set to 'OFF'. With the Victron Connect app (see sect 1.9) this setting can be configured with a number between 1 (every day) and 250 (once every 250 days).

When automatic equalization is active, the absorption charge will be followed by a voltage limited constant current period. The current is limited to 8% or 25% of the bulk current. The bulk current is the rated charger current unless a lower maximum current setting has been chosen.

When using a setting with 8% current limit, automatic equalization ends when the voltage limit has been reached, or after 1 hour, whichever comes first.

Other settings: automatic equalization ends after 4 hours.

When automatic equalization is not completely finished within one day, it will not resume the next day, the next equalization session will take place as determined by the day interval.

3.10 VE.Direct communication port

See section 1.9 and 3.5.

4. Troubleshooting

Problem	Possible cause	Solution
Charger does not function	Reversed PV connection	Connect PV correctly
	No fuse inserted	Insert 20A fuse
Blown fuse	Reversed battery connection	1. Connect battery correctly 2. Replace fuse
The battery is not fully charged	A bad battery connection	Check battery connection
	Cable losses too high	Use cables with larger cross section
	Large ambient temperature difference between charger and battery ($T_{\text{ambient_chrg}} > T_{\text{ambient_batt}}$)	Make sure that ambient conditions are equal for charger and battery
	<i>Only for a 24V system:</i> wrong system voltage chosen (12V instead of 24V) by the charge controller	Set the controller manually to the required system voltage (see section 1.8)
The battery is being overcharged	A battery cell is defect	Replace battery
	Large ambient temperature difference between charger and battery ($T_{\text{ambient_chrg}} < T_{\text{ambient_batt}}$)	Make sure that ambient conditions are equal for charger and battery
Load output does not become active	Maximum current limit exceeded	Make sure that the output current does not exceed 15A
	DC load in combination with capacitive load (e.g. inverter) applied	Disconnect DC load during start-up of the capacitive load Disconnect AC load from the inverter, or connect inverter as explained in section 3.6
	Short-circuit	Check for short-circuit in the load connection

5 Specifications 75V models

BlueSolar charge controller	MPPT 75/10	MPPT 75/15
Battery voltage	12/24V Auto Select	
Maximum battery current	10A	15A
Nominal PV power, 12V 1a,b)	145W	220W
Nominal PV power, 24V 1a,b)	290W	440W
Max. PV short circuit current 2)	13A	15A
Automatic load disconnect	Yes, maximum load 15A	
Maximum PV open circuit voltage	75V	
Peak efficiency	98%	
Self consumption	12V: 20 mA 24V: 10 mA	
Charge voltage 'absorption'	14,4V / 28,8V (adjustable)	
Charge voltage 'equalization' 3)	16,2V / 32,4V (adjustable)	
Charge voltage 'float'	13,8V / 27,6V (adjustable)	
Charge algorithm	multi-stage adaptive or user defined algorithm	
Temperature compensation	-16mV / °C resp. -32mV / °C	
Continuous load current	15A	
Low voltage load disconnect	11,1V / 22,2V or 11,8V / 23,6V or BatteryLife algorithm	
Low voltage load reconnect	13,1V / 26,2V or 14V / 28V or BatteryLife algorithm	
Protection	Output short circuit / Over temperature	
Operating temperature	-30 to +60°C (full rated output up to 40°C)	
Humidity	100%, non-condensing	
Maximum altitude	5000m (full rated output up to 2000m)	
Environmental condition	Indoor type 1, unconditioned	
Pollution degree	PD3	
Data communication port	VE.Direct See the data communication white paper on our website	
ENCLOSURE		
Colour	Blue (RAL 5012)	
Power terminals	6mm ² / AWG10	
Protection category	IP43 (electronic components) IP22 (connection area)	
Weight	0,5kg	
Dimensions (h x w x d)	100 x 113 x 40mm	
STANDARDS		
Safety	EN/IEC 62109-1 / UL 1741 / CSA C22.2 NO.107.1-16	
1a) If more PV power is connected, the controller will limit input power.		
1b) The PV voltage must exceed Vbat + 5V for the controller to start. Thereafter the minimum PV voltage is Vbat + 1V.		
2) A higher short circuit current may damage the controller in case of reverse polarity connection of the PV array.		
3) Default setting: OFF		

Specifications 100V models

BlueSolar charge controller	MPPT 100/15
Battery voltage	12/24V Auto Select
Maximum battery current	15A
Nominal PV power, 12V 1a,b)	220W
Nominal PV power, 24V 1a,b)	440W
Max. PV short circuit current 2)	15A
Automatic load disconnect	Yes, maximum load 15A
Maximum PV open circuit voltage	100V
Peak efficiency	98%
Self consumption	12V: 20 mA 24V: 10 mA
Charge voltage 'absorption'	14,4V / 28,8V (adjustable)
Charge voltage 'equalization'	16,2V / 32,4V (adjustable)
Charge voltage 'float'	13,8V / 27,6V (adjustable)
Charge algorithm	multi-stage adaptive or user defined algorithm
Temperature compensation	-16mV / °C resp. -32mV / °C
Continuous load current	15A
Low voltage load disconnect	11,1V / 22,2V or 11,8V / 23,6V or BatteryLife algorithm
Low voltage load reconnect	13,1V / 26,2V or 14V / 28V or BatteryLife algorithm
Protection	Output short circuit / Over temperature
Operating temperature	-30 to +60°C (full rated output up to 40°C)
Humidity	100%, non-condensing
Maximum altitude	5000m (full rated output up to 2000m)
Environmental condition	Indoor type 1, unconditioned
Pollution degree	PD3
Data communication port	VE.Direct See the data communication white paper on our website
ENCLOSURE	
Colour	Blue (RAL 5012)
Power terminals	6mm ² / AWG10
Protection category	IP43 (electronic components) IP22 (connection area)
Weight	0,6 kg
Dimensions (h x w x d)	100 x 113 x 50 mm
STANDARDS	
Safety	EN/IEC 62109-1, UL 1741, CSA C22.2
1a) If more PV power is connected, the controller will limit input power 1b) The PV voltage must exceed Vbat + 5V for the controller to start. Thereafter the minimum PV voltage is Vbat + 1V. 2) A higher short circuit current may damage the controller in case of reverse polarity connection of the PV array.	

EN

NL

FR

DE

ES

SE

IT

Appendix

BlueSolar charge controller	MPPT 100/20-48V
Battery voltage	12/24/48V Auto Select
Maximum battery current	20A
Nominal PV power, 48V 1a,b)	1160W (290W / 580W / 870W)
Max. PV short circuit current 2)	20A
Automatic load disconnect	Yes, maximum load 20A(12/24V) & 0,1A(36/48V)
Maximum PV open circuit voltage	100V
Peak efficiency	98%
Self consumption	25 / 15 / 15 mA
Charge voltage 'absorption'	14,4V / 28,8V / 43,2V / 57,6V (adjustable)
Charge voltage 'equalization'	16,2V / 32,4V / 48,6V / 64,8V (adjustable)
Charge voltage 'float'	13,8V / 27,6V / 41,4V / 55,2V (adjustable)
Charge algorithm	multi-stage adaptive or user defined algorithm
Temperature compensation	-16mV/ °C / -32mV/ °C / -48mV/ °C / -64mV/ °C
Continuous load current, 12/24V	20A
Continuous load current, 48V	1A
Low voltage load disconnect	11,1 / 22,2 / 33,3 / 44,4V or 11,8 / 23,6 / 35,4 / 47,2V or BatteryLife algorithm
Low voltage load reconnect	13,1 / 26,2 / 39,3 / 52,4V or 14 / 28 / 42 / 56V or BatteryLife algorithm
Protection	Output short circuit / Over temperature
Operating temperature	-30 to +60°C (full rated output up to 40°C)
Humidity	100%, non-condensing
Maximum altitude	5000m (full rated output up to 2000m)
Environmental condition	Indoor type 1, unconditioned
Pollution degree	PD3
Data communication port	VE.Direct See the data communication white paper on our website
ENCLOSURE	
Colour	Blue (RAL 5012)
Power terminals	6mm ² / AWG10
Protection category	IP43 (electronic components) IP22 (connection area)
Weight	0,65 kg
Dimensions (h x w x d)	100 x 113 x 60 mm
STANDARDS	
Safety	EN/IEC 62109-1, UL 1741, CSA C22.2
<p>1a) If more PV power is connected, the controller will limit input power 1b) The PV voltage must exceed Vbat + 5V for the controller to start. Thereafter the minimum PV voltage is Vbat + 1V. 2) A higher short circuit current may damage the controller in case of reverse polarity connection of the PV array.</p>	

1 Algemene beschrijving

1.1 Ultrasnelle MPPT tracking

Vooral als het bewolkt is en de lichtintensiteit voortdurend verandert, verbetert een snel MPPT algoritme de energieopbrengst tot 30 % in vergelijking met PWM-laadcontrollers en tot 10 % in vergelijking met tragere MPPT-controllers.

1.2 VE.Direct

Voor een bekabelde verbinding met een Color Control-paneel, pc of andere apparaten

1.3 Belastingsuitgang

Diepe ontlading van de accu kan worden voorkomen door alle belastingen met de belastingsuitgang te verbinden. De belastingsuitgang koppelt de belasting los als de accu is ontladen tot een vooringestelde spanning.

Als alternatief kan een intelligent accubeheeralgoritme worden gekozen: zie BatteryLife.

De belastingsuitgang is bestand tegen kortsluiting.

Sommige belastingen (vooral omvormers) kunnen het beste rechtstreeks op de accu worden aangesloten, en de afstandsbediening van de omvormer op de belastingsuitgang. Hiervoor kan een speciale interfacekabel nodig zijn, zie paragraaf 3.6.

1.4 BatteryLife: intelligent accubeheer

Als een zonnelaadcontroller de accu niet in één dag weer volledig kan opladen, is het resultaat vaak dat de accu voortdurend schommelt tussen "gedeeltelijk opgeladen" en "volledig ontladen". Deze werkwijze (de accu niet regelmatig volledig weer opladen) maakt een loodzuuraccu binnen enkele weken of maanden helemaal kapot.

Het BatteryLife-algoritme houdt de laadstatus van de accu in de gaten en verhoogt, indien nodig, dag na dag het niveau voor belastingsontkoppeling (d.w.z. koppelt de belasting eerder los) tot de energie die van een zonnepaneel verkregen is, voldoende is om de accu opnieuw op te laden tot bijna de volledige 100 %. Vanaf dat ogenblik wordt het niveau voor belastingsontkoppeling gemoduleerd, zodat de accu ongeveer één keer per week tot bijna de volledige 100 % wordt geladen.

1.5 Driestaps laden

De laadcontroller is geconfigureerd voor een driestaps laadproces: Bulkclading –

Absorptielading - Druppellading.

Zie paragraaf 3.8 en paragraaf 5 voor de standaardinstellingen.

Zie paragraaf 1.8 voor de gebruikersgedefinieerde instellingen

1.5.1. Bulkclading

Tijdens deze fase levert de controller zoveel mogelijk laadstroom om de accu's snel te laden.

1.5.2. Absorptielading

Tijdens deze fase schakelt de controller over op de constante-spanningsmodus, waarbij de absorptiespanning wordt toegepast op de accu. Wanneer de laadstroom afneemt tot aan de instelling van de float-leemtegrensstroom, is de accu volledig geladen en schakelt de controller over naar de druppellading-fase.

1.5.3. Druppellading

Tijdens deze fase wordt de float-spanning toegepast op de accu om deze volledig geladen te houden.

1.5.4. Egalisatie

Zie paragraaf 3.9.

1.6 Interne temperatuursensor

Compenseert absorptie- en float-laadspanningen voor temperatuur (bereik 6 °C tot 40 °C).

1.7 Optionele externe spannings- en temperatuursensor (bereik -20 °C tot 50 °C)

De **Smart Battery Sense** is een draadloze batterij spannings- en temperatuursensor voor Victron MPPT Zonneladers. De Zonnelader gebruikt deze afmetingen om diens laadparameters te optimaliseren. De accuraatheid van de gegevens die het doorstuurt zal de doeltreffendheid van het batterijladen verbeteren en de levensduur van de batterij (VE.Direct Bluetooth Smart dongle nodig) verlengen.

Als alternatief kan **Bluetooth communicatie** ingesteld worden tussen een **BMV-712 batterijmonitor** met batterijtemperatuursensor en de zonnelaadcontroller (VE.Direct Bluetooth Smart dongle nodig). Voer, voor meer details, *smart networking* in in het zoekvakje op onze website.

1.8 Automatische herkenning van de accuspanning

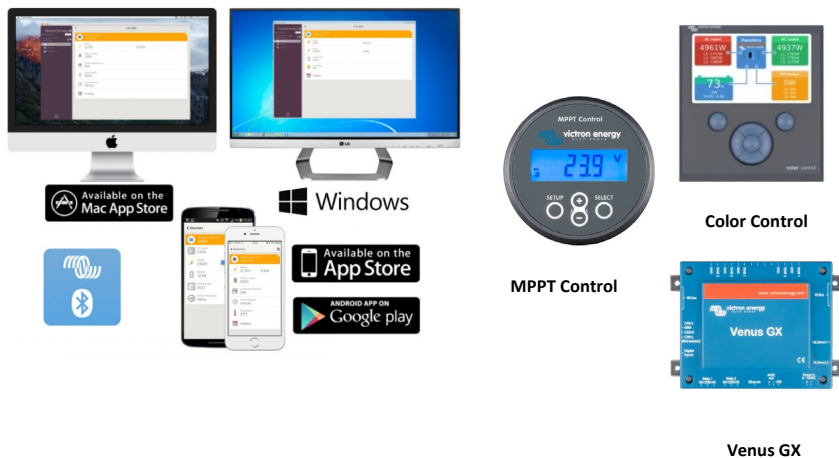
De controller past zich **slechts een keer** automatisch aan aan een 12 V- of een 24 V-systeem.

Als op een later moment een andere systeemspanning is vereist, moet deze handmatig worden gewijzigd, bijvoorbeeld met de Bluetooth-app, zie paragraaf 3.8.

1.9 Configuratie en monitoring

Configureer de zonnelaadcontroller met de VictronConnect app. Beschikbaar voor iOS- & Android-toestellen; evenals voor MacOS- en Windows-computers. Een accessoire kan vereist zijn; voer *victronconnect* in in het zoekvakje op onze website en bekijk de VictronConnect downloadpagina voor details.

Gebruik voor eenvoudig monitoring de MPPT Control; een eenvoudig maar efficiënt op panel gemonteerd beeldscherm dat alle operationele parameters toont. Monitoring van het volledige systeem inclusief inloggen op ons online portaal, VRM, wordt uitgevoerd via het GX Productgamma.



2. BELANGRIJKE VEILIGHEIDSAANWIJZINGEN

BEWAAR DEZE AANWIJZINGEN - Deze handleiding bevat belangrijke aanwijzingen die installatie en onderhoud in acht moeten worden genomen.



Ontploffingsgevaar wegens vonken

Gevaar van elektrische schokken

- Aanbevolen wordt deze handleiding zorgvuldig te lezen voordat het product wordt geïnstalleerd en in gebruik wordt genomen.
- Dit product is ontworpen en getest in overeenstemming met internationale normen. De apparatuur mag enkel worden gebruikt voor de bedoelde toepassing.
- Installeer het product in een hittebestendige omgeving. Zorg ervoor dat er zich geen chemische stoffen, plastic onderdelen, gordijnen of andere soorten textiel enz. in de onmiddellijke omgeving van de apparatuur bevinden.
- Het product mag niet worden gemonteerd in een voor gebruikers toegankelijk gebied.
- Zorg ervoor dat de apparatuur wordt gebruikt in de juiste omgevingsvoorwaarden. Gebruik het product nooit in een vochtige omgeving.
- Gebruik het product nooit op plaatsen waar zich gas- of stofexplosies kunnen voordoen.
- Zorg ervoor dat er altijd voldoende vrije ruimte rondom het product is voor ventilatie.
- Raadpleeg de specificaties van de accufabrikant om te waarborgen dat de accu geschikt is voor gebruik met dit product. Volg steeds de veiligheidsvoorschriften van de accufabrikant.
- Bescherm de zonne-energiemodules tegen rechtstreekse lichtinval tijdens de installatie, bv. door ze te bedekken.
- Raak nooit niet-geïsoleerde kabeluiteinden aan.
- Gebruik enkel geïsoleerd gereedschap.
- Maak de verbindingen steeds in de volgorde zoals beschreven in punt 3.5.
- Degene die het product installeert moet zorgen voor een trekontlasting voor de accukabels, zodat een eventuele spanning niet op de kabels wordt overgedragen.
- Naast deze handleiding moet de bedieningshandleiding of de onderhoudshandleiding een onderhoudshandleiding voor de accu bevatten die van toepassing is op de gebruikte accutypen.

EN

NL

FR

DE

ES

SE

IT

Appendix

3. Installatie

WAARSCHUWING: DC-(PV) INGANGSSPANNING NIET GEÏSOLEERD VAN ACCUCIRCUIT

LET OP: VOOR EEN GOEDE TEMPERATUURCOMPENSATIE MOETEN DE OMGEVINGSOMSTANDIGHEDEN VOOR DE LADER EN ACCU BINNEN 5 °C LIGGEN.

3.1. Algemeen

- Installeer verticaal op een onbrandbaar oppervlak met de voedingsklemmen naar omlaag. Houd rekening met een minimumafstand afstand van 10cm onder en boven het product voor optimale koeling.

- Installeer dicht bij de accu maar nooit rechtstreeks boven de accu (om schade wegens gasvorming van de accu te voorkomen).

- Een slechte interne temperatuurcompensatie (bv. omgevingsomstandigheden accu en lader niet binnen 5 °C) kan leiden tot een kortere levensduur van de accu.

We adviseren een rechtstreekse spanningsgevoelbron (BMV, Smart Battery Sense of GX toestel met gedeeld spanningsgevoel) te gebruiken wanneer grotere temperatuurverschillen of extreme omgevingstemperatuuromstandigheden te verwachten zijn.

- De installatie van de accu moet plaatsvinden conform de accu-opslagvoorschriften van de Canadese Elektrische Code, deel I.

- De accu en PV-aansluitingen moeten worden beschermd tegen onbedoeld contact (installeer deze bv. in een behuizing of installeer de optionele WireBox S).

3.2 Aarding

- *Aarding van de accu:* de lader kan in een positief of negatief geaard systeem worden geïnstalleerd.

Opmerking: pas een enkele aardingsaansluiting toe (bij voorkeur dicht bij de accu) om storingen in het systeem te voorkomen.

- *Frame-aarding:* Een apart aardingspad voor de frame-aarding is toegestaan, omdat het is geïsoleerd van de positieve en negatieve aansluiting.

- De USA National Electrical Code (NEC) vereist het gebruik van een externe aardlekschakelaar. Deze MPPT-laders beschikken niet over een interne aardlekschakelaar. De negatieve aansluiting van het systeem dient via een aardlekschakelaar te worden verbonden met de aarde op (uitsluitend) een enkele locatie.

- De lader mag niet worden aangesloten op geaarde zonnepanelen.

- De plus en min van de PV-configuratie mag niet worden geaard. Aard het frame van de PV-panelen om de impact van blikseminslag te verminderen.

WAARSCHUWING: ALS ER EEN AARDINGSFOUT WORDT AANGEGEVEN, KAN HET ZIJN DAT ACCU-AANSLUITINGEN EN AANGESLOTEN CIRCUITS NIET GEAARD EN DUS GEVAARLIJK ZIJN.

3.3. PV configuratie (zie ook het MPPT-Excel-blad op onze website)

- Zorg ervoor dat alle stroomgeleiders van een fotovoltaïsche stroombron losgekoppeld kunnen worden van alle overige geleiders in een gebouw of andere constructie.

- Een schakelaar, contactverbreker of ander apparaat, met gelijk- of wisselspanning, mag niet worden geïnstalleerd in een geaarde geleider als het gebruik van deze schakelaar, contactverbreker of ander apparaat de betreffende geaarde geleider in een niet-geaarde en spanningsvoerende toestand achterlaat.

- De controller werkt alleen als de PV spanning hoger is dan de accuspanning (V_{accu}).

- De controller start pas als de PV spanning hoger is dan $V_{accu} + 5 \text{ V}$. Vanaf dan bedraagt de minimum PV spanning $V_{accu} + 1 \text{ V}$
- Maximum PV open klemspanning: 75 V resp. 100 V.

Bijvoorbeeld:

12 V-accu en mono- of polykristallijne panelen aangesloten op een 75 V-controller

- Minimum aantal seriële cellen: 36 (12 V paneel).
- Aanbevolen aantal cellen voor hoogste controllerefficiëntie: 72 (2x 12 V paneel in serie of 1x 24 V paneel).
- Maximum: 108 cellen (3x 12 V paneel in serie).

24 V-accu en mono- of polykristallijne panelen aangesloten op een 100 V-controller

- Minimum aantal seriële cellen: 72 (2x 12 V paneel in serie of 1x 24 V paneel).
- Maximum: 144 cellen (4x 12 V-paneel in serie).

Opmerking: bij lage temperaturen kan de nullastspanning van een uit 108 cellen bestaand zonnepaneel 75 V overschrijden en de nullastspanning van een uit 144 cellen bestaand zonnepaneel kan 100 V overschrijden, afhankelijk van de omgevingsomstandigheden en de celspecificaties. In dat geval moet het aantal cellen worden verminderd.

3.4 Kabel aansluitvolgorde (zie afbeelding 3)

1. Sluit de kabels aan op de belasting, maar zorg ervoor dat alle belastingen zijn uitgeschakeld.
2. Sluit de accu aan (hierdoor kan de controller de systeemspanning herkennen).
2. Sluit het zonnepaneel aan (bij omgekeerde polariteit warmt de controller op, maar wordt de accu niet opgeladen).

Torsie: 0,75 Nm

Het systeem is nu klaar voor gebruik.

3.5. Configuratie van de controller

De VE.Direct-communicatiepoort (zie par. 1.9) kan worden gebruikt om de controller te configureren. (dongle vereist bij gebruik van de Bluetooth-app)

3.6 Instelling van de belastingsuitgang (zie afbeelding 1 en 2 aan het einde van de handleiding)

De VE.Direct-communicatiepoort (zie par. 1.8) kan worden gebruikt om de belastingsuitgang te configureren. (dongle vereist bij gebruik van de Bluetooth-app)
Er kan tevens een jumper worden gebruikt om de belastingsuitgang als volgt te configureren:

- **Geen brug:** BatteryLife algoritme (zie 1.4)
- **Brug tussen pin 1 en pin 2:** conventioneel
Belasting ontkoppeling bij lage spanning: 11,1 V of 22,2 V
Automatische belastingsherkoppeling: 13,1 V of 26,2 V
- **Brug tussen pin 2 en pin 3:** conventioneel
Belasting ontkoppeling bij lage spanning: 11,8 V of 23,6 V

Automatische belastingsherkoppeling: 14 V of 28 V

Sommige belastingen met hoge inschakelstroom kunnen het beste direct op de accu worden aangesloten. Indien voorzien van een ingang voor aan/uit op afstand, kunnen deze belastingen het beste worden geregeld door de belastingsuitgang van de controller te verbinden met deze ingang voor aan/uit op afstand. Een speciale interfacekabel kan dan nodig zijn.

Als alternatief kan ook een BatteryProtect worden gebruikt om de belasting te regelen. Zie onze website voor de specificaties.

Omvormers met een laag stroomverbruik, zoals de **Phoenix VE.Direct-omvormers** tot 375 VA, kunnen direct worden gevoed door de belastingsuitgang, maar het maximale uitgangsvermogen zal worden beperkt door de stroomlimiet van de belastingsuitgang.

Phoenix VE.Direct-omvormers kunnen ook worden geregeld door de linker aansluiting van de afstandsbediening te verbinden met de belastingsuitgang.

De brug van de afstandsbediening tussen links en rechts moet zijn verwijderd.

De omvormermodellen Phoenix 12/800, 24/800, 12/1200 en 24/1200 van Victron kunnen worden geregeld door de rechter aansluiting van de afstandsbediening van de omvormer rechtstreeks op de belastingsuitgang aan te sluiten (zie afbeelding 4 aan het einde van deze handleiding).

Voor de Victron-omvormermodellen Phoenix 12/180, 24/180, 12/350, 24/350, de Phoenix-omvormermodellen Compact en de MultiPlus Compact is een interfacekabel vereist: de omvormkabel voor aan-uit op afstand, artikelnummer ASS030550100, zie afbeelding 5 aan het einde van deze handleiding.

3.7 LEDs

Groene LED: geeft aan welk besturingsalgoritme voor belastingsuitgang is gekozen.

Aan: een van de twee conventionele besturingsalgoritmen voor belastingsuitgang (zie figuur 2)

Knipperend: BatteryLife-besturingsalgoritme voor belastingsuitvoer (zie Afb. 2)

Gele LED: signaleert laadvolgorde

Uit: geen stroom van PV-array (of PV-array aangesloten met omgekeerde polariteit)

Knippert snel: bulklading (batterij in gedeeltelijk opgeladen toestand)

Knippert langzaam: absorptielaad (batterij is geladen tot 80 % of meer)

Aan: float lading (batterij volledig opgeladen)

Voor de nieuwste en meest bijgewerkte informatie over de blink-codes raadpleeg de Victron Toolkit-app. Klik op of scan de QR-code om naar de Victron Ondersteuning- en Downloads/Software-pagina te gaan.



3.8 Accu-oplaad informatie

De laadcontroller begint elke ochtend, zodra de zon begint te schijnen, een nieuwe laadcyclus.

Loodzuurbatterijen: standaardmethode om de lengte en het einde van de absorptie te bepalen

Het laadalgoritmededrag van MPPT's verschilt van AC verbonden batterijladers. Lees dit hoofdstuk van de handleiding zorgvuldig om MPPT-gedrag te verstaan en volg steeds de aanbevelingen van uw batterijproducent.

Standaard wordt de absorptietijd bepaald op stilstaande batterijspanning bij de start van elke dag, gebaseerd op de volgende tabel:

Batterijspanning Vb (@start-up)	Vermenigvuldiger	Maximale absorptietijd
Vb < 11,9 V	x 1	6u
11,9 V < Vb < 12,2 V	x 2/3	4u
12,2 V < Vb < 12,6 V	x 1/3	2u
Vb > 12,6 V	x 1/6	1u

(12 V waarden, aanpassen voor 24 V)

Standaard absorptiespanning: 14,4 V

Standaard druppelladerspanning: 13,8 V

De absorptietijdteller start eens overgeschakeld van bulk naar absorptie.

De MPPT-zonneladers zullen ook absorptie beëindigen en overschakelen naar druppellader wanneer de batterijstroom onder een lage stroomdrempellimiet, de 'staartstroom', valt.

De standaard staartstroomwaarde bedraagt 1 A.

Voor modellen met een laadoutput wordt de stroom op de batterijterminals gebruikt; en voor de grotere modellen; de stroom op de outputterminals wordt gebruikt.

De standaard instellingen (spanningen, absorptietijdvermenigvuldiger en staartstroom) kunnen aangepast worden met de Victronconnect app via Bluetooth (VE.Direct Bluetooth Smart dongle nodig) of via VE.Direct.

Er zijn twee uitzonderingen op normale werking:

1. Wanneer gebruikt in een ESS-systeem; het zonneladeralgoritme wordt uitgeschakeld; en in plaats hiervan volgt het de curve zoals opgelegd door de omvormer/acculader.
2. Voor CAN-bus Lithium-batterijen, zoals BYD, vertelt de batterij het systeem, inclusief de zonnelader, welke laadspanning te gebruiken. Deze Laadspanningslimiet (CVL) is voor bepaalde batterijen zelfs dynamisch; wijzigt metertijd; gebaseerd op bijvoorbeeld maximale celspanning in het pakket en andere parameters.

Variaties op verwacht gedrag

1. Pauzeren van de absorptietijdteller

De absorptietijdteller start wanneer de geconfigureerde absorptiespanning bereikt werd en pauzeert wanneer de outputspanning onder de geconfigureerde absorptiespanning ligt.

Een voorbeeld van wanneer deze spanningsverlaging kan voorvallen is wanneer PV-vermogen (vanwege wolken, bomen, bruggen) onvoldoende is om de batterij te laden en vermogen te geven aan de ladingen.

Wanneer de absorptietimer gepauzeerd wordt, zal de absorptie-led zeer traag flitsen.

2. Herstarten van het laadproces
Het laadalgoritme zal resetten wanneer laden gedurende een uur gestopt werd. Dit kan voorvallen wanneer de PV-spanning zakt onder de batterijspanning vanwege slecht weer, schaduw of iets gelijkaardigs.
3. Batterij wordt opgeladen of ontladen voordat zonneloaden begint
De automatische absorptietijd is gebaseerd op de opstart-batterijspanning (zie tabel). Deze absorptietijdschatting kan incorrect zijn wanneer er een bijkomende laadbron (bv. alternator) of lading op de batterijen is.
Dit is een inherente kwestie in het standaard algoritme. In de meeste gevallen is het echter nog steeds beter dan een vaste absorptietijd ongeacht andere laadbronnen of batterijstatus.
Het is mogelijk het standaard absorptietijdalgoritme terzijde te schuiven door een vaste absorptietijd in te stellen bij het programmeren van de zonneloadcontroller. Denk eraan dat dit kan resulteren in het overladen van uw batterijen. Raadpleeg uw batterijproducent voor aanbevolen instellingen.
4. Absorptietijd bepaald door staartstroom
Bij bepaalde toepassingen kan het te prefereren zijn om absorptietijd die enkel gebaseerd is op staartstroom te beëindigen. Dit kan bereikt worden door de standaard absorptietijdvermenigvuldiger te verhogen.
(waarschuwing: de staartstroom van lood-zuur batterijen zakt niet naar nul wanneer de batterijen volledig opgeladen zijn, en deze "resterende" staartstroom kan substantieel verhogen wanneer de batterijen ouder worden).

Standaard instelling, LiFePO₄-batterijen

LiFePO₄-batterijen moeten niet volledig geladen worden om vroegtijdig defect te beletten.

De standaard instelling van absorptiespanning bedraagt 14,2 V (28,4 V).

En de standaard instelling van absorptietijd bedraagt 2 uur.

Standaard instelling druppellader: 13,2 V (26,4 V).

Deze instellingen zijn aanpasbaar.

Resetten van het laadalgoritme:

De standaard instelling voor herstarten van de laadcyclus is $V_{batt} < (V_{float} - 0,4 \text{ V})$ voor lood-zuur en $V_{batt} < (V_{float} - 0,1 \text{ V})$ voor LiFePO₄-batterijen, gedurende 1 minuut.

(waarden voor 12 V-batterijen, vermenigvuldigen met twee voor 24 V)

3.9 Automatische egalisatie

Automatische egalisatie staat standaard ingesteld op 'UIT'. Met de Victron Connect-app (zie par. 1.9) kan deze instelling worden geconfigureerd met een cijfer tussen 1 (elke dag) en 250 (eens om de 250 dagen).

Wanneer automatische egalisatie actief is, zal de absorptielading gevolgd worden door een periode van constante stroom met beperkte spanning. De stroom wordt beperkt tot 8 % of 25 % van de bulkstroom. De bulkstroom is de nominale laderstroom tenzij een lagere maximale stroominstelling werd gekozen.

Bij het gebruik van een instelling met 8 % stroomlimiet eindigt automatische egalisatie wanneer de spanningslimiet bereikt werd, of na 1 uur, wat er ook eerst komt.

Andere instellingen: automatische egalisatie eindigt na 4 uur.

Wanneer automatische egalisatie niet binnen één dag volledig voltooid werd, zal het de volgende dag niet hervatten, de volgende egalisatiesessie zal plaatsvinden zoals bepaald door de daginterval.

3.10 VE.Direct-communicatiepoort

Zie paragraaf 1.9 en 3.5.

4. Probleemoplossing

Probleem	Mogelijke oorzaak	Oplossing
Lader werkt niet	Omgepoolde PV aansluiting	Sluit PV juist aan
	Geen zekering geplaatst	Plaats een 20 A zekering
Zekering doorgebrand	Omgepoolde accuaansluiting	1. Sluit accu juist aan 2. Vervang zekering
De accu wordt niet volledig geladen	Gebrekkige accuverbinding	Controleer accuverbinding
	Te hoge kabelverliezen	Gebruik kabels met een grotere diameter
	Groot omgevingstemperatuurverschil tussen lader en accu ($T_{omg_lader} > T_{omg_accu}$)	Zorg ervoor dat de omgevingsomstandigheden gelijk zijn voor de lader en de accu
	<i>Enkel voor een 24 V systeem:</i> foute systeemspanning gekozen (12 V i.p.v. 24 V) door de laadcontroller	Stel de controller handmatig in op de vereiste systeemspanning (zie paragraaf 1.8)
De accu wordt overladen	Er is een accucel defect	Vervang accu
	Groot omgevingstemperatuurverschil tussen lader en accu ($T_{omg_lader} < T_{omg_accu}$)	Zorg ervoor dat de omgevingsomstandigheden gelijk zijn voor de lader en de accu
Belastingsuitgang wordt niet geactiveerd	Maximum stroomlimiet overschreden	Zorg ervoor dat de uitgangsstroom niet hoger is dan 15 A
	DC belasting in combinatie met capacitieve belasting (bv. omvormer) toegepast	Koppel de DC belasting los tijdens het opstarten van de capacitieve belasting. Koppel de AC-belasting los van de omvormer, of sluit de omvormer aan zoals beschreven in punt 3.6.
	Kortsluiting	Controleer of de belastingsaansluiting kortgesloten is

EN

NL

FR

DE

ES

SE

IT

Appendix

5 Specificaties, 75 V modellen

BlueSolar laadcontroller	MPPT 75/10	MPPT 75/15
Accuspanning	12/24 V Auto Select	
Maximum accustroom	10 A	15 A
Nominaal PV-vermogen, 12 V 1a, b)	145W	220W
Nominaal PV-vermogen, 24 V 1a, b)	290W	440W
Max. PV kortsluitstroom 2)	13 A	15 A
Automatische belastingsontkoppeling	Ja, maximum belasting 15 A	
Maximum PV open spanning	75 V	
Pieefficiëntie	98 %	
Eigen verbruik	12 V: 20 mA	24 V: 10 mA
Laadspanning 'absorptie'	14,4 V / 28,8 V (regelbaar)	
Laadspanning 'float'	13,8 V / 27,6 V (regelbaar)	
Laadspanning 'egalisatie 3)'	16,2 V / 32,4 V (regelbaar)	
Laad algoritme	meertraps adaptief of gebruikersgedefinieerd algoritme	
Temperatuurcompensatie	-16 mV / °C resp. -32 mV / °C	
Continue belastingstroom	15 A	
Belastingsontkoppeling bij lage spanning	11,1 V / 22,2 V of 11,8 V / 23,6 V of BatteryLife algoritme	
Belastingsherkoppeling bij lage spanning	13,1 V / 26,2 V of 14 V / 28 V of BatteryLife algoritme	
Beveiliging	Kortsluiting uitgang Overtemperatuur	
Bedrijfstemperatuur	-30 tot +60 °C (volledig nominaal vermogen tot 40 °C)	
Vocht	100 %, niet condenserend	
Maximale hoogte	5000m (volledig nominaal vermogen tot 2000m)	
Omgevingsomstandigheden	Binnen type 1, natuurlijk	
Verontreinigingsgraad	PD3	
Datacommunicatiepoort	VE.Direct Zie het whitepaper over datacommunicatie op onze website	
BEHUIZING		
Kleur	Blauw (RAL 5012)	
Vermogensklemmen	6mm ² / AWG10	
Beschermingsklasse	IP43 (elektronische componenten) IP 22 (aansluitingsgebied)	
Gewicht	0,5kg	
Afmetingen (h x b x d)	100 x 113 x 40mm	
NORMEN		
Veiligheid	NEN-EN/IEC 62109-1 / UL 1741 / CSA C22.2 NO.107.1-16	
1a) Als er meer PV-vermogen wordt aangesloten, beperkt de controller het ingangsvermogen.		
1b) De controller start pas als de PV-spanning Vaccu + 5 V overschrijdt. Daarna bedraagt de minimale PV-spanning Vaccu + 1 V.		
2) Een hogere kortsluitstroom kan de controller in geval van een omgekeerde polariteitsaansluiting van de zonnepanelen beschadigen.		
3) Fabrieksinstelling: UIT		

Specificaties, 100 V modellen

BlueSolar laadcontroller	MPPT 100/15
Accuspanning	12/24V Auto Select
Maximum accustroom	15A
Nominaal PV-vermogen, 12 V 1a, b)	220W
Nominaal PV-vermogen, 24 V 1a, b)	440W
Max. PV kortsluitstroom 2)	15A
Automatische belastingsontkoppeling	Ja, maximum belasting 15A
Maximum PV open spanning	100V
Piekefficiëntie	98%
Eigen verbruik	12V: 20 mA 24V: 10 mA
Laadspanning 'absorptie'	14,4V / 28,8V (regelbaar)
Laadspanning 'float'	16,2V / 32,4V (regelbaar)
Laadspanning 'egalisatie'	13,8V / 27,6V (regelbaar)
Laadalgoritme	meertraps adaptief of gebruikersgedefinieerd algoritme
Temperatuurcompensatie	-16mV / °C resp. -32mV / °C
Continue belastingstroom	15A
Belastingsontkoppeling bij lage spanning	11,1V / 22,2V of 11,8V / 23,6V of BatteryLife algoritme
Belastingsherkoppeling bij lage spanning	13,1V / 26,2V of 14V / 28V of BatteryLife algoritme
Beveiliging	Kortsluiting uitgang Overtemperatuur
Bedrijfstemperatuur	-30 tot +60°C (volledig nominaal vermogen tot 40°C)
Vocht	100%, niet condenserend
Maximale hoogte	5000m (volledig nominaal vermogen tot 2000m)
Omgevingsomstandigheden	Binnen type 1, natuurlijk
Verontreinigingsgraad	PD3
Datacommunicatiepoort	VE.Direct Zie het whitepaper over datacommunicatie op onze website
BEHUIZING	
Kleur	Blauw (RAL 5012)
Vermogensklemmen	6mm ² / AWG10
Beschermingsklasse	IP43 (elektronische componenten) IP 22 (aansluitingsgebied)
Gewicht	0,6 kg
Afmetingen (h x b x d)	100 x 113 x 50 mm
NORMEN	
Veiligheid	NEN-EN-IEC 62109-1, UL 1741, CSA C22.2
1a) Als er meer PV-vermogen wordt aangesloten, beperkt de controller het ingangsvermogen	
1b) De controller start pas als de PV-spanning Vaccu + 5 V overschrijdt. Daarna bedraagt de minimale PV-spanning Vaccu + 1 V.	
2) Een hogere kortsluitstroom kan de controller in geval van een omgekeerde polariteitsaansluiting van de zonnepanelen beschadigen	

EN

NL

FR

DE

ES

SE

IT

Appendix

BlueSolar laadcontroller	MPPT 100/20-48 V
Accuspanning	12 / 24 / 48 V Auto Select
Maximale accustroom	20 A
Nominale PV-stroom, 48 V 1a,b)	1160W (290W / 580W / 870W)
Max. PV-kortsluitstroom 2)	20 A
Automatische belastingsontkoppeling	Ja, maximum belasting 20 A(12/24 V) & 0,1 A(36/48 V)
Maximale PV-nullastspanning	100 V
Piefficiëntie	98 %
Eigen verbruik	25 / 15 / 15 mA
Laadspanning 'absorptielading'	14,4 V / 28,8 V / 43,2 V / 57,6 V (regelbaar)
Laadspanning 'egalisatie'	16,2 V / 32,4 V / 48,6 V / 64,8 V (regelbaar)
Laadspanning 'druppellading'	13,8 V / 27,6 V / 41,4 V / 55,2 V (regelbaar)
Laad algoritme	meertraps adaptief of gebruikersgedefinieerd algoritme
Temperatuurcompensatie	-16 mV/ °C / -32 mV/ °C / -48 mV/ °C / -64 mV/ °C
Continue belastingsstroom (12/24)	20 A
Continue belastingsstroom (48)	1 A
Belastingsontkoppeling bij lage spanning	11,1 / 22,2 / 33,3 / 44,4 V of 11,8 / 23,6 / 35,4 / 47,2 V of BatteryLife-algoritme
Belastingsherkoppeling bij lage spanning	13,1 / 26,2 / 39,3 / 52,4 V of 14 / 28 / 42 / 56 V of BatteryLife-algoritme
Beveiliging	Kortsluiting uitgang / overtemperatuur
Bedrijfstemperatuur	-30 tot +60°C (volledig nominaal vermogen tot 40°C)
Luchtvochtigheid	100 %, niet condenserend
Maximale hoogte	5000 m (volledig nominale uitgangsspanning tot 2000 m)
Omgevingsomstandigheden	Binnen type 1, natuurlijk
Verontreinigingsgraad	PD3
Datacommunicatiepoort	VE.Direct Zie het witboek over datacommunicatie op onze website
BEHUIZING	
Kleur	Blauw (RAL 5012)
Vermogensklemmen	6 mm ² / AWG10
Beschermingsklasse	IP43 (elektronische componenten) IP22 (aansluitgebied)
Gewicht	0,65 kg
Afmetingen (h x b x d)	100 x 113 x 60 mm
NORMEN	
Veiligheid	NEN-EN-IEC 62109-1, UL 1741, CSA C22.2
1a) Als er meer PV-vermogen wordt aangesloten, beperkt de controller het ingangsvermogen	
1b) De controller start pas als de PV-spanning Vaccu + 5 V overschrijdt. Daarna bedraagt de minimale PV-spanning Vaccu + 1 V.	
2) Een hogere kortsluitstroom kan de controller in geval van een omgekeerde polariteitsaansluiting van de zonnepanelen beschadigen	

1 Description générale

1.1 Suivi ultra rapide du MPPT

Quand l'intensité lumineuse change constamment, en particulier si le ciel est nuageux, un algorithme MPPT rapide améliorera la collecte d'énergie jusqu'à 30 % par rapport aux contrôleurs de charge PWM (modulation de largeur d'impulsion), et jusqu'à 10 % par rapport aux contrôleurs MPPT plus lents.

1.2 VE.Direct

Pour une connexion de données filaire à un tableau de commande Color Control, à un PC ou à d'autres appareils.

1.3 Sortie de charge

La décharge profonde de la batterie peut être évitée en connectant toutes les charges à la sortie de charge. La sortie de charge déconnectera la charge quand la batterie aura été déchargée à une tension prédéterminée.

Sinon, un algorithme de gestion de batterie intelligente peut être choisi : voir BatteryLife. La sortie de charge est protégée contre les courts-circuits.

Certaines charges (en particulier les convertisseurs) seront plutôt connectées directement à la batterie, et le contrôle à distance du convertisseur à la sortie de charge. Un câble d'interface spécial peut être nécessaire, veuillez consulter la section 3.6.

1.4 BatteryLife : gestion intelligente de la batterie

Quand un contrôleur de charge solaire ne peut pas recharger la batterie entièrement en un jour, il en résulte souvent que la batterie alterne constamment entre un état « en partie chargée » et un état « fin de décharge ». Ce mode de fonctionnement (recharge complète non régulière) endommagera les batteries au plomb en quelques semaines ou quelques mois.

L'algorithme de BatteryLife contrôlera l'état de charge de la batterie, et le cas échéant, augmentera légèrement, jour après jour le niveau de déconnexion de la charge (c.à.d. il déconnectera la charge plus tôt), jusqu'à ce que l'énergie solaire produite soit suffisante pour recharger la batterie à près de 100 % de sa capacité. À partir de là, le niveau de déconnexion de la charge sera modulé afin qu'une recharge de près de 100 % soit atteinte au moins une fois par semaine.

1.5 Chargement en trois étapes

Le contrôleur est configuré pour un processus de charge en trois étapes : Bulk – Absorption - Float.

Voir section 3.8 et section 5 pour les paramètres par défaut.

Voir section 1.8 pour les paramètres définis par l'utilisateur

1.5.1. Bulk

Au cours de cette étape, le contrôleur délivre autant de courant que possible pour recharger rapidement les batteries.

1.5.2. Absorption

Quand la tension de batterie atteint les paramètres de tension d'absorption, le contrôleur commute en mode de tension constante.

Lors de décharges peu profondes de la batterie, la durée de charge d'absorption est limitée pour éviter toute surcharge. Après une décharge profonde, la durée d'absorption est automatiquement augmentée pour assurer une recharge complète de la batterie.

De plus, la période d'absorption prend également fin quand le courant de charge devient inférieur à moins de 1 A.

1.5.3. Float

Au cours de cette étape, la tension Float est appliquée à la batterie pour maintenir un état de charge complet.

1.5.4. Égalisation

Voir section 3.9.

1.6 Sonde de température interne

Elle compense les tensions de charge d'absorption et Float en fonction de la température (plage de 6 °C to 40 °C).

1.7 Sonde externe de tension et de température en option (plage de -20 °C à 50 °C)

La **Smart Battery Sense** est une sonde de température et de tension, sans fil, pour équiper des batteries de chargeurs solaires MPPT Victron. Le chargeur solaire utilise ces mesures pour optimiser ses paramètres de charge. La précision des données qu'il transmet améliorera l'efficacité de la recharge de la batterie, et cela permettra de prolonger la durée de vie de batterie (Clé électronique Bluetooth Smart-VE.Direct nécessaire).

Sinon, une **communication Bluetooth** peut être établie entre un **contrôleur de batterie de BMV-712** et une sonde de température de batterie et le contrôleur de charge solaire.

(Clé électronique Bluetooth – VE.Direct nécessaire). Pour davantage de détails, veuillez saisir Smart Networking (interconnexion intelligente des réseaux) dans la case de recherche sur notre site Web.

1.8 Reconnaissance automatique de la tension de batterie

Le contrôleur s'ajustera automatiquement à un système de 12 ou 24 V **une seule fois**.

Si une tension de système différente est requise lors d'une étape ultérieure, il faudra effectuer le changement manuellement, par exemple avec l'application Bluetooth. Voir section 3.8.

1.9 Configuration et supervision

Configurez le contrôleur de charge solaire avec l'application VictronConnect. Disponible sur les appareils iOS et Android, ainsi que sur les ordinateurs fonctionnant sur macOS et Windows. Un accessoire peut être requis : saisissez VictronConnect dans la case de recherche sur notre site Web et consultez la page de téléchargement VictronConnect pour davantage de détails.

Pour une simple supervision, utilisez le contrôle MPPT, un écran simple mais efficace monté sur un panneau qui affiche tous les paramètres en option. Une supervision complète du système — incluant la connexion à notre portail en ligne VRM — peut être effectuée en utilisant la gamme de produit GX.



MPPT Control



Color Control



Venus GX

2. INSTRUCTIONS DE SÉCURITÉ IMPORTANTES

CONSERVER CES INSTRUCTIONS - Ce manuel contient des instructions importantes qui doivent être suivies lors de l'installation et de la maintenance.



Risque d'explosion due aux étincelles

Risque de décharge électrique

- Il est conseillé de lire attentivement ce manuel avant d'installer et d'utiliser le produit.
- Cet appareil a été conçu et testé conformément aux normes internationales. L'appareil doit être utilisé uniquement pour l'application désignée.
- Installer l'appareil dans un environnement protégé contre la chaleur. Par conséquent, il faut s'assurer qu'il n'existe aucun produit chimique, pièce en plastique, rideau ou autre textile, à proximité de l'appareil.
- Interdiction d'installer le produit dans un espace accessible aux utilisateurs.
- S'assurer que l'appareil est utilisé dans des conditions d'exploitation appropriées. Ne jamais l'utiliser dans un environnement humide.
- Ne jamais utiliser l'appareil dans un endroit présentant un risque d'explosion de gaz ou de poussière.
- S'assurer qu'il y a toujours suffisamment d'espace autour du produit pour l'aération.
- Consultez les caractéristiques fournies par le fabricant pour s'assurer que la batterie est adaptée pour être utilisée avec cet appareil. Les instructions de sécurité du fabricant de la batterie doivent toujours être respectées.
- Protéger les modules solaires contre la lumière incidente durant l'installation, par exemple en les recouvrant.
- Ne jamais toucher les bouts de câbles non isolés.
- N'utiliser que des outils isolés.
- Les connexions doivent être réalisées conformément aux étapes décrites dans la section 3.5.
- L'installateur du produit doit fournir un passe-fil à décharge de traction pour éviter la transmission de contraintes aux connexions.
- En plus de ce manuel, le manuel de fonctionnement ou de réparation du système doit inclure un manuel de maintenance de batterie applicable au type de batteries utilisées.

EN

NL

FR

DE

ES

SE

IT

Appendix

3. Installation

ATTENTION : ENTRÉE CC (PV) NON ISOLÉE PAR RAPPORT AU CIRCUIT DE LA BATTERIE

MISE EN GARDE : POUR UNE COMPENSATION DE TEMPÉRATURE CORRECTE, LES CONDITIONS AMBIANTES DU CHARGEUR ET DE LA BATTERIE NE DOIVENT PAS DIFFÉRER DE PLUS OU MOINS 5 °C.

3.1 Généralités

- Montage vertical sur un support ininflammable, avec les bornes de puissance dirigées vers le bas. Laissez un espace d'au moins 10 cm au-dessus et en dessous du produit pour garantir un refroidissement optimal.
- Montage près de la batterie, mais jamais directement dessus (afin d'éviter des dommages dus au dégagement gazeux de la batterie).
- Une compensation de température interne incorrecte (par ex. des conditions ambiantes pour la batterie et le chargeur différant de plus de 5 °C – en plus ou en moins) peut entraîner une réduction de la durée de vie de la batterie.

Nous vous recommandons d'utiliser une source directe de sonde de tension de batterie (BMV, Sonde Smart Battery ou appareil GX, sonde de tension partagée) si des différences de température supérieures ou des conditions de température ambiante extrêmes sont prévues.

- L'installation de la batterie doit se faire conformément aux règles relatives aux accumulateurs du Code canadien de l'électricité, Partie 1.
- Les connexions PV et des batteries doivent être protégées contre tout contact commis par inadvertance (en les installant par exemple dans un boîtier ou dans le boîtier en option WireBox).

3.2 Mise à la terre

- *Mise à la terre de la batterie* : le chargeur peut être installé sur un système de masse négative ou positive.

Remarque : n'installez qu'une seule connexion de mise à la terre (de préférence à proximité de la batterie) pour éviter le dysfonctionnement du système.

- *Mise à la terre du châssis* : Un chemin de masse séparé pour la mise à la terre du châssis est autorisé car il est isolé de la borne positive et négative.
 - Le National Electrical Code (NEC) des États-Unis requiert l'utilisation d'un appareil externe de protection contre les défaillances de la mise à la terre (GFDP). Les chargeurs MPPT ne disposent pas d'une protection interne contre les défaillances de mise à la terre. Le pôle négatif électrique du système devra être connecté à la masse à travers un GFPD et à un seul endroit (et juste un seul).
 - Le chargeur ne doit pas être connecté à des champs PV mis à la terre.
 - Les bornes positive et négative du champ PV ne doivent pas être mises à la terre.
- Effectuez la mise à la terre du cadre des panneaux PV pour réduire l'impact de la foudre.

ATTENTION : LORSQU'UNE DÉFAILLANCE DE LA MISE À LA TERRE EST INDIQUÉE, LES BORNES DE LA BATTERIE ET LES CIRCUITS CONNECTÉS RISQUENT DE NE PLUS ÊTRE À LA MASSE ET DEVENIR DANGEREUX.

3.3. Configuration PV (consultez aussi la feuille Excel MPPT sur notre site Web)

- Fournir les moyens nécessaires pour déconnecter tous les conducteurs d'une source photovoltaïque transportant du courant de tous les autres conducteurs au sein d'un bâtiment ou d'une autre structure.
- Un interrupteur, un disjoncteur, ou tout autre appareil de ce genre – qu'il soit CA ou CC – ne devra pas être installé sur un conducteur mis à la terre si le déclenchement de cet interrupteur, disjoncteur ou autre appareil de ce genre laisse ce conducteur sans mise à la terre alors que le système est sous tension.
- Le contrôleur ne fonctionnera que si la tension PV dépasse la tension de la batterie (Vbat).
- La tension PV doit dépasser Vbat + 5 V pour que le contrôleur se mette en marche. Ensuite, la tension PV minimale est Vbat + 1 V
- Tension PV maximale de circuit ouvert : 75 V et 100 V respectivement

Par exemple :

Batterie de 12 V et panneaux monocristallins ou polycristallins connectés à un contrôleur de 75 V

- Nombre minimal de cellules en série : 36 (panneau de 12 V).
- Nombre de cellules recommandé pour une meilleure efficacité du contrôleur : 72 (2 panneaux de 12 V en série ou 1 panneau de 24 V).
- Maximum : 108 cellules (3 panneaux de 12 V en série).

Batterie de 24 V et panneaux monocristallins ou polycristallins connectés à un contrôleur de 100 V

- Nombre minimal de cellules en série : 72 (2 panneaux de 12 V en série ou 1 panneau de 24 V).
- Maximum : 144 cellules (4 panneaux de 12 V en série).

Remarque : à basse température, la tension de circuit ouvert d'un champ de panneaux solaires de 108 cellules peut dépasser 75 V, et la tension d'un circuit ouvert d'un champ solaire de 144 cellules peut dépasser 100 V, en fonction des conditions locales et des spécifications relatives aux cellules. Dans ce cas, le nombre de cellules en série doit être réduit.

3.4 Séquence de connexion des câbles (voir figure 3)

- 1 : connectez les câbles à la charge, mais assurez-vous que toutes les charges sont éteintes.
- 2 : connectez la batterie (cela permettra au contrôleur de reconnaître la tension du système).
- 3 : connectez le champ de panneaux PV (s'il est connecté en polarité inversée, le contrôleur se chauffera, mais il ne chargera pas la batterie).

Moment de force : 0,75 Nm

Le système est maintenant prêt à l'emploi.

3.5. Configuration du contrôleur

Le port de communication VE.Direct (voir section. 1.9) peut être utilisé pour configurer la sortie de la charge. (Clé électronique nécessaire pour utiliser l'application Bluetooth).

3.6 Sortie de la charge (voir Illustrations 1 et 2 à la fin de ce manuel)

Le port de communication VE.Direct (voir sect. 1.8) peut être utilisé pour configurer la sortie de la charge. (Clé électronique nécessaire pour utiliser l'application Bluetooth).

Sinon, un cavalier peut être utilisé pour configurer la sortie de la charge comme suit :

- **Sans cavalier** : Algorithme BatteryLife (voir 1.4)
- **Cavalier entre broche 1 et broche 2** : configuration conventionnelle
Déconnexion de la charge en cas de tension faible : 11,1 V ou 22,2 V
Reconnexion automatique de la charge : 13,1 V ou 26,2 V
- **Cavalier entre broche 2 et broche 3** : configuration conventionnelle
Déconnexion de la charge en cas de tension faible : 11,8 V ou 23,6 V
Reconnexion automatique de la charge : 14 V ou 28 V

Le mieux est de raccorder directement à la batterie les charges ayant un courant d'appel élevé. Si elles disposent d'une entrée Allumage-Arrêt à distance, ces charges peuvent être contrôlées en connectant la sortie de la charge du contrôleur à cette entrée. Un câble d'interface spécial peut être nécessaire.

Sinon, la fonction BatteryProtect peut être utilisée pour contrôler la charge. Veuillez consulter notre site Web pour davantage de spécifications.

Des convertisseurs à faible puissance – tels que les **convertisseurs Phoenix VE.Direct** jusqu'à 375 VA – peuvent être alimentés directement par la sortie de la charge, mais la puissance de sortie maximale sera limitée par la limite de courant de la sortie de charge.

Des convertisseurs Phoenix VE.Direct peuvent également être contrôlés en raccordant la connexion de gauche au contrôle à distance de la sortie de la charge.

Il faut retirer le pont entre la droite et la gauche sur le contrôle à distance.

Les convertisseurs Victron Modèles Phoenix 12/800, 24/800, 12/1200 et 24/1200 peuvent être contrôlés en raccordant la connexion de droite du contrôle à distance du convertisseur directement à la sortie de la charge (voir l'illustration 4 à la fin de ce manuel).

Pour les convertisseurs Victron – modèles Phoenix 12/180, 24/180, 12/350, 24/350, modèles Compact des convertisseurs Phoenix et modèles MultiPlus Compact – un câble d'interface est nécessaire : câble inverseur d'allumage/arrêt à distance, référence ASS030550100, voir l'illustration 5 à la fin de ce manuel.

3.7 LED

Voyant LED vert : il indique quel algorithme de contrôle de sortie de charge a été choisi.

On (allumé fixe) : un des deux algorithmes conventionnels de contrôle de sortie de charge (voir Illustration 2)

Clignotement : Algorithme de contrôle de sortie de charge BatteryLife (voir Illustration 2)

LED jaune : signale la séquence de charge

Off : aucune puissance ne provient du champ de panneaux PV (ou le champ PV est **connecté** en polarité inversée)

Clignotement rapide : charge Bulk (batterie à l'état partiellement chargée)

Clignotement lent : charge d'absorption (batterie chargée à 80 % ou plus)

On : charge Float (batterie entièrement chargée)

Concernant l'information la plus récente et actualisée sur les codes clignotants, veuillez consulter l'application Toolkit de Victron. Cliquez sur ou scannez le code QR pour vous rendre sur la page de Téléchargements/Logiciels et d'Assistance de Victron.



EN

NL

FR

DE

ES

SE

IT

Appendix

3.8 Information relative à la charge de batterie

Le contrôleur de charge démarre un nouveau cycle de charge chaque matin dès que le soleil commence à briller.

Batteries au plomb : méthode par défaut pour déterminer la durée et la fin de l'absorption.

Le comportement de l'algorithme de charge des MPPT diffère de celui des chargeurs de batterie connectés à une source CA. Veuillez lire attentivement cette section du manuel pour comprendre le comportement du MPPT, et suivez à tout moment les recommandations de votre fabricant de batteries.

Par défaut, la durée d'absorption est déterminée sur la tension de batterie au repos, au début de chaque journée conformément au tableau suivant :

Tension de batterie V_b (@départage)	Multiplicateur	Durée maximale d'absorption
$V_b < 11,9 \text{ V}$	x 1	6 heures
$11,9 \text{ V} < V_b < 12,2 \text{ V}$	x 2/3	4 heures
$12,2 \text{ V} < V_b < 12,6 \text{ V}$	x 1/3	2 heures
$V_b > 12,6 \text{ V}$	x 1/6	1 heure

(valeurs pour 12 V, ajustez pour des systèmes de 24 V)

Tension d'absorption par défaut : 14,4 V

Tension Float par défaut : 13,8 V

Le compteur de la durée d'absorption démarre dès que l'on passe de l'étape Bulk à Absorption.

Les chargeurs solaires MPPT arrêteront également l'absorption et passeront à Float lorsque le courant de batterie chutera en dessous du seuil, « le courant de queue ».

La valeur du courant de queue par défaut est de 1 A.

Pour des modèles ayant une sortie de charge, le courant sur les bornes de la batterie est utilisé, et pour les modèles de plus grande taille, le courant sur la borne de sortie est utilisé.

Les paramètres par défaut (tension, multiplicateur de la durée d'absorption et le courant de queue) peuvent être modifiés avec l'application VictronConnect (Clé électronique Bluetooth Smart-VE.Direct nécessaire) via Bluetooth ou via VE.Direct.

Il y a deux exceptions au fonctionnement normal :

1. Lorsque l'appareil est utilisé dans un système ESS, l'algorithme du chargeur solaire est désactivé, et à sa place, il suit la courbe exigée par le convertisseur/chargeur.
2. Pour des batteries au lithium avec Can-Bus, comme les BYD, la batterie dit au système, y compris au chargeur solaire, quelle tension de charge utiliser. Pour certaines batteries, cette limite de tension de charge (CVL) est même dynamique : elle change au cours du temps, en se basant, par exemple, sur la tension maximale des cellules au sein du banc et sur d'autres paramètres.

Variations par rapport au comportement attendu

1. Mettre sur pause le compteur de la durée d'absorption

Ce compteur démarre lorsque la tension d'absorption configurée est atteinte, et il se met en pause si la tension de sortie est inférieure à la tension d'absorption configurée. Un exemple du moment où devrait survenir cette chute de tension est lorsque la puissance PV (en raison de nuages, arbres, ponts) est insuffisante pour charger la batterie et alimenter les charges.

Lorsque le compteur d'absorption est sur pause, le voyante LED d'absorption clignotera très doucement.

2. Redémarrage du processus de charge

L'algorithme de charge se réinitialisera si le processus de charge s'est arrêté pendant une heure. Cela peut survenir lorsque la tension PV chute en dessous de la tension de batterie à cause d'une mauvaise météo, d'ombre ou un facteur semblable.

3. Batterie étant rechargée ou déchargée avant que ne commence le processus de charge solaire

La durée d'absorption automatique repose sur la tension de batterie de démarrage (voir tableau). Cette estimation de la durée d'absorption peut être incorrecte s'il y a une source de charge supplémentaire (par ex. alternateur) ou une charge consommatrice sur les batteries.

Ceci est un problème intrinsèque à l'algorithme par défaut. Cependant, dans la plupart des cas, c'est toujours mieux qu'une durée d'absorption fixe en dépit des autres sources de charge ou de l'état de batterie.

Il est possible d'ignorer l'algorithme de la durée d'absorption par défaut en paramétrant une durée d'absorption fixe lorsque vous programmez le contrôleur de charge solaire. Attention, cela peut entraîner une surcharge de vos batteries. Veuillez consulter votre fabricant de batterie pour connaître les paramètres recommandés.

4. Durée d'absorption déterminée par le courant de queue

Dans certaines applications, il peut être préférable de mettre fin à la durée d'absorption uniquement sur la base du courant de queue. Cela est possible en augmentant le multiplicateur de la durée d'absorption par défaut.

(attention : le courant de queue des batteries au plomb ne descend pas à zéro lorsque les batteries sont entièrement chargées, et ce courant de queue « restant » peut augmenter de manière considérable lorsque les batteries vieillissent).

Paramètre par défaut, les batteries LiFePO4

Les batteries LiFePO4 n'ont pas besoin d'être entièrement chargée pour éviter des défaillances prématurées.

Le paramètre de tension d'absorption par défaut est 14,2 V (28,4 V).

Et le paramètre par défaut du temps d'absorption est de 2 heures.

Paramètre de la tension Float par défaut : 13,2 V (26,4 V)

Ces paramètres sont réglables.

Réinitialisation de l'algorithme de charge :

La configuration par défaut pour redémarrer le cycle de charge est $V_{batt} < (V_{float} - 0,4 \text{ V})$ pour les batteries au plomb, et $V_{batt} < (V_{float} - 0,1 \text{ V})$ pour les batteries LiFePO4, pendant 1 minute.

(valeurs pour des batteries de 12 V, multipliez par deux pour celles de 24 V)

3.9 Égalisation automatique

Par défaut, l'égalisation automatique est configurée sur « OFF » (éteinte). Avec l'application VictronConnect (voir section 1.9) ce paramètre peut être configuré avec un nombre allant de 1 (tous les jours) à 250 (tous les 250 jours).

Si l'égalisation automatique est activée, la charge d'absorption sera suivie d'une période de courant constant limité par la tension. Le courant est limité à 8 % ou 25 % du courant Bulk. Le courant Bulk est le courant de charge nominal sauf si un courant maximal plus faible a été paramétré.

Si la limite de courant est paramétrée sur 8 %, l'égalisation automatique prend fin lorsque la limite de tension a été atteinte, ou au bout d'une heure, quel que soit le paramètre atteint en premier.

Autres paramètres : l'égalisation automatique prend fin au bout de 4 heures.

Si l'égalisation automatique n'est pas entièrement achevée en un jour, elle ne reprendra pas le lendemain. L'égalisation suivante aura lieu en fonction de l'intervalle de jours déterminé.

3.10 Port de communication VE.Direct

Voir sections 1.9 et 3.5.

4. Dépannages

Problème	Cause possible	Solution possible
Le chargeur ne marche pas	Connexion PV inversée	Connectez le système PV correctement
	Pas de fusible inséré	Insérer un fusible de 20 A
Fusible grillé	Connexion de batterie inversée	1. Connectez correctement la batterie 2. Remplacez le fusible
La batterie n'est pas complètement chargée	Raccordement défectueux de la batterie	Vérifiez la connexion de la batterie
	Pertes trop élevées à travers le câble	Utilisez des câbles avec une section efficace plus large
	Importante différence de température ambiante entre le chargeur et la batterie ($T_{\text{ambiant_chrg}} > T_{\text{ambiant_batt}}$)	Assurez-vous que les conditions ambiantes sont les mêmes pour le chargeur et la batterie
	<i>Uniquement pour un système de 24 V</i> : le contrôleur de charge a choisi la tension incorrecte du système (12 V au lieu de 24 V)	Configurez le contrôleur manuellement selon la tension de système requise (voir section 1.8)
La batterie est surchargée	Une cellule de la batterie est défectueuse	Remplacez la batterie
	Importante différence de température ambiante entre le chargeur et la batterie ($T_{\text{ambiant_chrg}} < T_{\text{ambiant_batt}}$)	Assurez-vous que les conditions ambiantes sont les mêmes pour le chargeur et la batterie
La sortie de charge ne s'active pas	Limite maximale de courant dépassée	Assurez-vous que le courant de sortie ne dépasse pas 15 A
	Charge CC combinée à la charge capacitive appliquée (par ex. convertisseur)	Déconnectez la charge CC pendant le démarrage de la charge capacitive Déconnectez la charge CC pendant le démarrage de la charge CA de déconnexion de charge capacitive du convertisseur, ou connectez le convertisseur comme il est expliqué dans la section 3.6
	Court-circuit	Vérifiez s'il y a un court-circuit sur la connexion de la charge

5 Spécifications - Modèles de 75 V

Contrôleur de charge BlueSolar	MPPT 75/10	MPPT 75/15
Tension de la batterie	Sélection automatique 12/24 V	
Courant de batterie maximal	10 A	15 A
Puissance nominale PV, 12 V 1a, b)	145 W	220 W
Puissance nominale PV, 24 V 1a, b)	290 W	440 W
Max. PV courant de court-circuit 2)	13 A	15 A
Déconnexion de charge automatique	Oui, charge maximale 15 A	
Tension PV maximale de circuit ouvert	75 V maximum sous conditions froides 74 V pour démarrer et fonctionnement normal	
Efficacité de crête	98 %	
Autoconsommation	12 V : 20 mA 24 V : 10 mA	
Tension de charge « d'absorption »	14,4 V/28,8 V (réglable)	
Tension de charge « d'égalisation » 3)	16,2 V/32,4 V (réglable)	
Tension de charge « float »	13,8 V/27,6 V (réglable)	
Algorithme de charge	Adaptatif à étapes multiples ou défini par l'utilisateur	
Compensation de température	-16 mV / °C resp. -32 mV / °C	
Courant de charge continu	15 A	
Déconnexion en cas de charge de tension réduite	11,1 V / 22,2 V ou 11,8V / 23,6V ou Algorithme BatteryLife	
Reconnexion de charge en cas de tension réduite	13,1 V / 26,2 V ou 14 V / 28 V ou Algorithme BatteryLife	
Protection	Court-circuit en sortie Surchauffe	
Température de fonctionnement	-30 à +60°C (puissance nominale en sortie jusqu'à 40°C)	
Humidité	100 %, sans condensation	
Altitude maximale	5000 m (sortie nominale complète jusqu'à 2000 m)	
Conditions environnementales	Intérieur Type 1, sans climatisation	
Niveau de pollution	PD3	
Port de communication de données	VE.Direct Consultez notre livre blanc concernant les communications de données qui se trouve sur notre site Web	
BOÎTIER		
Couleur	Bleu (RAL 5012)	
Bornes de puissance	6 mm ² / AWG10	
Degré de protection	IP43 (composants électroniques) IP 22 (zone de connexion)	
Poids	0,5 kg	
Dimensions (h x l x p)	100 x 113 x 40 mm	
NORMES		
Sécurité	EN/IEC 62109-1 / UL 1741 / CSA C22.2 NO.107.1-16	
1a) Si une puissance PV supérieure est connectée, le contrôleur limitera la puissance d'entrée		
1b) La tension PV doit dépasser Vbat + 5 V pour que le contrôleur se mette en marche. Ensuite, la tension PV minimale doit être de Vbat + 1 V.		
2) Un courant de court-circuit supérieur pourrait endommager le contrôleur en cas de polarité inversée du champ PV.		
3) Réglages par défaut : OFF		

EN

NL

FR

DE

ES

SE

IT

Appendix

Spécifications – Modèles de 100 V

Contrôleur de charge BlueSolar	MPPT 100/15
Tension de la batterie	Sélection automatique 12/24 V
Courant de batterie maximal	15 A
Puissance nominale PV, 12 V 1a, b)	220 W
Puissance nominale PV, 24 V 1a, b)	440 W
Max. PV courant de court-circuit 2)	15 A
Déconnexion de charge automatique	Oui, charge maximale respective de 15 A – 20 A
Tension PV maximale de circuit ouvert	100 V
Efficacité de crête	98 %
Autoconsommation	12 V: 20 mA 24 V: 10 mA
Tension de charge « d'absorption »	14,4 V/28,8 V (réglable)
Tension de charge « d'égalisation »	16,2 V/32,4 V (réglable)
Tension de charge « float »	13,8 V/27,6 V (réglable)
Algorithme de charge	Algorithme adaptatif à étapes multiples ou défini par l'utilisateur
Compensation de température	-16 mV / °C resp. -32 mV / °C
Courant de charge continu	15 A
Déconnexion en cas de charge de tension réduite	11,1 V / 22,2 V ou 11,8 V / 23,6 V ou Algorithme BatteryLife
Reconnexion de charge en cas de tension réduite	13,1 V / 26,2 V ou 14 V / 28 V ou Algorithme BatteryLife
Protection	Court-circuit en sortie Surchauffe
Température de fonctionnement	-30 à +60 °C (puissance nominale en sortie jusqu'à 40 °C)
Humidité	100 %, sans condensation
Altitude maximale	5000 m (sortie nominale complète jusqu'à 2000 m)
Conditions environnementales	Intérieur Type 1, sans climatisation
Niveau de pollution	PD3
Port de communication de données	Port VE.Direct Consultez notre livre blanc concernant les communications de données qui se trouve sur notre site Web
BOÎTIER	
Couleur	Bleu (RAL 5012)
Bornes de puissance	6 mm ² / AWG10
Degré de protection	IP43 (composants électroniques) IP 22 (zone de connexion)
Poids	0,6 kg
Dimensions (h x l x p)	100 x 113 x 50 mm
NORMES	
Sécurité	EN/IEC 62109-1, UL 1741, CSA C22.2
1a) Si une puissance PV supérieure est connectée, le contrôleur limitera la puissance d'entrée	
1b) La tension PV doit dépasser Vbat + 5 V pour que le contrôleur se mette en marche. Ensuite, la tension PV minimale doit être de Vbat + 1 V.	
2) Un courant de court-circuit supérieur pourrait endommager le contrôleur en cas de polarité inversée du champ PV	

Contrôleur de charge BlueSolar	MPPT 100/20-48V
Tension de la batterie	Sélection automatique 12 / 24 / 48 V
Courant de batterie maximal	20 A
Puissance nominale PV, 48 V 1a, b)	1160 W (290W / 580W / 870W)
Courant maxi. de court-circuit PV 2)	20 A
Déconnexion de la charge automatique	Oui, charge maximale 20A(12/24V) & 0,1A(36/48V)
Tension PV maximale de circuit ouvert	100 V
Efficacité de crête	98 %
Autoconsommation	25 / 15 / 15 mA
Tension de charge « d'absorption »	14,4V / 28,8V / 43,2V / 57,6V (réglable)
Tension de charge « d'égalisation »	16,2V / 32,4V / 48,6V / 64,8V (réglable)
Tension de charge « Float »	13,8V / 27,6V / 41,4V / 55,2V (réglable)
Algorithme de charge	Algorithme adaptatif à étapes multiples ou défini par l'utilisateur
Compensation de température	-16mV/ °C / -32mV/ °C / -48mV/ °C / -64mV/ °C
Courant de charge continu (12V / 24V)	20A
Courant de charge continu (48V)	1A
Déconnexion en cas de charge de tension faible	11,1 / 22,2 / 33,3 / 44,4V ou 11,8 / 23,6 / 35,4 / 47,2V Ou Algorithme BatteryLife
Reconnexion de la charge en cas de tension faible	13,1 / 26,2 / 39,3 / 52,4V ou 14 / 28 / 42 / 56V ou Algorithme BatteryLife
Protection	Court-circuit de sortie / Surchauffe
Température d'exploitation	-30 à +60°C (puissance nominale en sortie jusqu'à 40°C)
Humidité	100 %, sans condensation
Altitude maximale	5000 m (sortie nominale complète jusqu'à 2000 m)
Conditions environnementales	Type 1 en intérieur, sans climatisation
Niveau de pollution	PD3
Port de communication de données	VE.Direct Consultez notre livre blanc concernant les communications de données qui se trouve sur notre site Web
BOÎTIER	
Couleur	Bleu (RAL 5012)
Bornes de puissance	6 mm ² / AWG10
Degré de protection	IP43 (composants électroniques) IP22 (zone de connexion)
Poids	0,65 kg
Dimensions (h x l x p)	100 x 113 x 60 mm
NORMES	
Sécurité	EN/IEC 62109-1, UL 1741, CSA C22.2
<p>1a) Si une puissance PV supérieure est connectée, le contrôleur limitera la puissance d'entrée 1b) La tension PV doit dépasser Vbat + 5 V pour que le contrôleur se mette en marche. Ensuite, la tension PV minimale doit être de Vbat + 1 V.</p> <p>2) Un courant de court-circuit supérieur pourrait endommager le contrôleur en cas de polarité inversée du champ de panneaux PV.</p>	

1 Allgemeine Beschreibung

1.1 Ultraschnelles MPPT-Tracking

Insbesondere bei bedecktem Himmel, wenn die Lichtintensität sich ständig verändert, verbessert ein schneller MPPT-Algorithmus den Energieertrag im Vergleich zu PWM-Lade-Reglern um bis zu 30 % und im Vergleich zu langsameren MPPT-Reglern um bis zu 10 %.

1.2 VE.Direct

Für eine verdrahtete Datenverbindung mit einem Color Control-Paneel, einem PC oder anderen Geräten.

1.3 Lastausgang

Ein Tiefentladen der Batterie lässt sich verhindern, indem sämtliche Lasten an den Lastausgang angeschlossen werden. Der Lastausgang trennt die Lasten ab, wenn die Batterie bis zu einem vorgegebenen Spannungswert entladen wurde.

Alternativ lässt sich auch ein Algorithmus für intelligentes Batteriemanagement wählen: siehe BatteryLife.

Der Lastausgang ist kurzschlussicher.

Einige Lasten (insbesondere Wechselrichter) lassen sich am besten direkt mit der Batterie verbinden. Die Wechselrichter-Fernsteuerung lässt sich am besten mit dem Lastausgang verbinden. Unter Umständen wird ein besonderes Schnittstellenkabel benötigt, bitte beachten Sie Kapitel 3.6.

1.4 BatteryLife: intelligentes Batteriemanagement

Ist der Solar-Lade-Regler nicht in der Lage, die Batterie innerhalb eines Tages bis zu ihrer vollen Kapazität aufzuladen, wechselt der Status der Batterie ständig zwischen "teilweise geladen" und "Ende der Entladung" hin und her. Dieser Betriebsmodus (kein regelmäßiges volles Aufladen) beschädigt eine Blei-Säure-Batterie binnen weniger Wochen oder Monaten.

Der BatteryLife Algorithmus überwacht den Ladezustand der Batterie und sofern erforderlich hebt er Tag für Tag den Schwellwert zum Abtrennen der Last an (d. h., die Last wird früher abgetrennt), bis die gewonnene Energie ausreicht, um die Batterie bis auf nahezu 100 % aufzuladen. Ab diesem Punkt wird der Schwellwert für das Abschalten der Last moduliert, so dass die Aufladung zu nahezu 100 % etwa einmal wöchentlich erreicht wird.

1.5 Drei-Stufen-Ladung

Der Regler ist für einen Drei-Stufen-Ladeprozess konfiguriert: Konstantstrom – Konstantspannung – Ladeerhaltungsspannung

Siehe Abschnitt 3.8 und Abschnitt 5 für Infos zu Standardeinstellungen.

Siehe Abschnitt 1.8 für Infos zu festgelegten Einstellungen.

1.5.1. Konstantstrom

Während dieser Phase liefert der Regler so viel Ladestrom wie möglich, um die Batterien schnell aufzuladen. Wenn die Batteriespannung die Einstellung für die Konstantspannung erreicht, aktiviert der Regler die nächste Stufe (Konstantspannung).

1.5.2. Konstantspannung

Während dieser Stufe schaltet der Regler in den Konstantspannungsmodus, bei dem Konstantspannung an der Batterie anliegt. Wenn der Ladestrom abnimmt und die eingestellten Werte für den Übergangstrom in die Ladeerhaltungsphase erreicht wird, ist die Batterie voll aufgeladen und der Regler schaltet um in die Ladeerhaltungsphase.

1.5.3. Ladeerhaltungsspannung

Während dieser Phase liegt Ladeerhaltungsspannung an der Batterie an, um sie im voll geladenen Zustand zu erhalten.

1.5.4. Zellenausgleich

Siehe Abschnitt 3.9.

1.6 Interner Temperaturfühler

Gleicht Konstant- und Ladeerhaltungs-Spannungen nach Temperatur aus (Bereich 6 °C bis 40 °C).

1.7 Optionaler externer Spannungs- und Temperatursensor (Bereich -20 °C bis 50 °C)

Der **Smart Battery Sense** ist ein drahtloser Batterie-Spannungs- und Temperatursensor für Victron MPPT Solarladegeräte. Der Solarlader nutzt diese Messungen, um seine Ladeparameter zu optimieren. Die Genauigkeit der übermittelten Daten verbessert die Ladeeffizienz der Batterie und verlängert die Lebensdauer der Batterie (VE.Direct Bluetooth Smart Dongle erforderlich).

Alternativ kann eine **Bluetooth-Kommunikation** zwischen einem **BMV-712 Batteriewächter** mit Batterietemperatursensor und dem Solarladeregler eingerichtet werden (VE.Direct Bluetooth Smart Dongle erforderlich). Für weitere Informationen geben Sie bitte Smart Networking in das Suchfeld auf unserer Website ein.

1.8 Automatische Erkennung der Batteriespannung

Der Regler passt sich **nur einmal** automatisch an ein 12 V- bzw. 24 V-System an. Wird zu einem späteren Zeitpunkt eine andere Systemspannung benötigt, muss diese manuell geändert werden, z. B. mit der Bluetooth App. Siehe Abschnitt 3.8.

1.9 Konfiguration und Überwachung

Konfigurieren Sie den Solarladeregler mit der VictronConnect-App. Verfügbar für iOS- und Android-Geräte; sowie MacOS- und Windows-Computer. Möglicherweise ist ein Zubehörteil erforderlich. Geben Sie **victronconnect** in das Suchfeld auf unserer Website ein und finden Sie auf der VictronConnect-Downloadseite weitere Informationen.

Verwenden Sie für eine einfache Überwachung die MPPT-Steuerung. Ein einfaches und dennoch effektives Panel-Display, das alle Betriebsparameter anzeigt. Die vollständige Systemüberwachung, einschließlich der Protokollierung in unserem Online-Portal VRM, erfolgt mithilfe der GX-Produktreihe.



2. WICHTIGE SICHERHEITSHINWEISE

BEWAHREN SIE DIESE HINWEISE AUF - Dieses Handbuch enthält wichtige Hinweise, die bei der Installation und Wartung zu befolgen sind.



Explosionsgefahr bei Funkenbildung

Gefahr durch Stromschläge

- Es wird empfohlen, dieses Handbuch vor der Installation und Inbetriebnahme des Produktes sorgfältig zu lesen.
- Dieses Produkt wurde in Übereinstimmung mit entsprechenden internationalen Normen und Standards entwickelt und erprobt. Nutzen Sie das Gerät nur für den vorgesehenen Anwendungsbereich.
- Installieren Sie das Gerät in brandsicherer Umgebung. Stellen Sie sicher, dass keine brennbaren Chemikalien, Plastikteile, Vorhänge oder andere Textilien in unmittelbarer Nähe sind.
- Das Gerät darf nicht an einem frei zugänglichen Ort installiert werden.
- Stellen Sie sicher, dass das Gerät entsprechend den vorgesehenen Betriebsbedingungen genutzt wird. Betreiben Sie das Gerät niemals in nasser Umgebung.
- Benutzen Sie das Gerät nie in gasgefährdeten oder staubbelasteten Räumen (Explosionsgefahr).
- Stellen Sie sicher, dass um das Gerät herum stets ausreichend freier Belüftungsraum vorhanden ist.
- Klären Sie mit Ihrem Lieferanten, ob das Gerät mit der vorgesehenen Batterie betrieben werden kann. Beachten Sie stets die Sicherheitshinweise des Batterieherstellers.
- Schützen Sie die Solarmodule während der Installation vor Lichteinstrahlung, z.B. indem Sie sie abdecken.
- Berühren Sie niemals unisolierte Kabelenden.
- Verwenden Sie nur isolierte Werkzeuge.
- Anschlüsse müssen stets in der in Abschnitt 3.5 beschriebenen Reihenfolge vorgenommen werden.
- Der Installateur des Produktes muss für eine Vorkehrung zur Kabelzugentlastung sorgen, damit die Anschlüsse nicht belastet werden.
- Zusätzlich zu diesem Handbuch, muss das Anlagenbetriebshandbuch oder das Wartungsbuch ein Batterie-Wartungsbuch für den verwendeten Batterietyp enthalten.

EN

NL

FR

DE

ES

SE

IT

Appendix

3. Installation

WARNHINWEIS: DC (PV) EINGANG NICHT VON BATTERIESTROMKREIS ISOLIERT

ACHTUNG: FÜR DIE RICHTIGE TEMPERATURKOMPENSATION DARF DIE UMGEBUNGSBEDINGUNG FÜR LADEGERÄT UND BATTERIE NICHT MEHR ALS 5 C ABWEICHEN.

3.1. Allgemeines

- Montieren Sie das Gerät vertikal auf einem feuersicheren Untergrund, die Stromanschlüsse müssen dabei nach unten zeigen. Achten Sie bitte darauf, dass unter und über dem Produkt mindestens 10 cm Platz gelassen wird, um eine optimale Kühlung zu gewährleisten.
- Montieren Sie es in der Nähe der Batterie, jedoch niemals direkt über der Batterie (um Schäden durch Gasentwicklung an der Batterie zu vermeiden).
- Eine ungenaue interne Temperaturkompensation (z. B. die Umgebungsbedingung der Batterie und des Ladegerätes weichen mehr als 5 C ab) kann die Lebensdauer der Batterie reduzieren.

Wir empfehlen die Verwendung einer Gleichspannungsquelle (BMV, Smart Battery Sense oder GX-Gerät), wenn größere Temperaturunterschiede oder extreme Umgebungstemperaturen erwartet werden können.

- Die Installation der Batterie muss in Einklang mit den für Speicherbatterien geltenden Bestimmungen des Canadian Electrical Code (kanadisches Gesetzbuch über Elektroinstallationen), Teil I erfolgen.
- Die Batterie- und die PV-Anschlüsse müssen vor unbeabsichtigtem Kontakt geschützt werden (z. B. durch das Anbringen eines Gehäuses oder die Installation der optionalen WireBox S).

3.2 Erdung

- **Erdung der Batterie:** das Ladegerät kann in einem positiv- oder negativ geerdeten System installiert werden.

Hinweis: verwenden Sie nur eine einzige Erdungsverbindung (vorzugsweise in Nähe der Batterie), um eine Fehlfunktion des Systems zu verhindern.

- **Gehäuseerdung:** Ein separater Erdungspfad für die Gehäuseerdung ist zulässig, da dieser von Plus- und Minus-Anschluss isoliert ist.
- Die amerikanische Sicherheitsnorm (USA National Electrical Code) NEC schreibt die Verwendung eines externen Erdschlussschutzes (GFPD) vor. MPPT Ladegeräte verfügen nicht über einen internen Erdschlussschutz. Der elektrische Minuspol des Systems sollte über einen GFPD an einem (und nur an einem) Ort mit der Erde verbunden werden.
- Das Ladegerät darf nicht mit geerdeten PV-Anlagen verbunden werden.
- Die Plus- und Minus-Anschlüsse der PV-Anlage sollten nicht geerdet sein. Erden Sie den Rahmen der PV-Module, um die Auswirkungen eines Blitzschlages zu reduzieren.

WARNHINWEIS: WIRD EIN ERDUNGSFEHLER ANGEZEIGT; SIND DIE BATTERIEANSCHLÜSSE UND ANGESCHLOSSENEN STROMKREISE MÖGLICHERWEISE NICHT GEERDET UND GEFÄHRLICH.

3.3 PV-Konfiguration (beachten Sie auch das MPPT Excel-Formular auf unserer Website)

- Sorgen Sie für eine Möglichkeit, um alle stromführenden Leiter einer Photovoltaik-Stromquelle von allen anderen Leitern in einem Gebäude oder einer Konstruktion zu trennen.
- Ein Schalter, Stromunterbrecher oder eine andere Vorrichtung, egal ob nun AC oder DC, darf in einem geerdeten Leiter nicht installiert werden, wenn der Betrieb dieses Schalters, Stromunterbrechers oder des anderen Gerätes den geerdeten Leiter in einem nicht geerdeten Zustand belässt, während das System noch unter Spannung steht.
- Der Regler ist nur dann in Betrieb, wenn die PV-Spannung größer ist als die Batteriespannung (V_{bat}).
- Die PV-Spannung muss mindestens die Höhe von $V_{bat} + 5\text{ V}$ erreichen damit der Regler den Betrieb aufnimmt. Danach liegt der Mindestwert der PV-Spannung bei $V_{bat} + 1\text{ V}$.
- Maximale PV-Leerspannung: 75 V bzw. 100 V.

Zum Beispiel:

12 V Batterie und Mono- oder Polykristalline Paneele angeschlossen an einen 75 V Regler

- Mindestanzahl der in Reihe geschalteten Zellen: 36 (12 V-Modul).
- Empfohlene Zellenanzahl für den höchsten Wirkungsgrad des Reglers: 72 (2 x 12 V-Module in Serie oder 1 x 24 V-Modul).
- Maximum: 108 Zellen (3x 12 V-Module in Serie).

24 V Batterie und Mono- oder Polykristalline Module angeschlossen an einen 100 V Regler

- Mindestanzahl der in Reihe geschalteten Zellen: 72 (2 x 12 V-Module in Serie oder 1 x 24 V-Modul).
- Maximum: 144 Zellen (4x 12 V Modul in Serie).

Anmerkung: bei niedrigen Temperaturen kann die Leerlaufspannung einer 108 Zellen Solaranlage 75 V übersteigen und die Leerlaufspannung einer 144 Zellen Solaranlage kann sogar 100 V überschreiten. Dies ist abhängig von den Bedingungen vor Ort und den technischen Bedingungen der Zellen. In diesem Fall ist die Anzahl der in Reihe geschalteten Zellen zu verringern.

3.4 Reihenfolge des Kabelanschlusses (s. Abb. 3)

- 1: Verbinden Sie die Kabel zur Last, stellen Sie jedoch sicher, dass die Lasten ausgeschaltet sind.
- 2: Schließen Sie die Batterie an (hierdurch kann der Regler die Systemspannung erkennen).
- 3: Schließen Sie die Solar-Anlage an (bei verpoltem Anschluss wird der Regler warm, lädt jedoch nicht die Batterie).

Drehmoment: 0,75 Nm

Das System ist nun betriebsbereit.

3.5 Konfiguration des Reglers

Der VE. Direct Kommunikationsport (siehe Abschnitt 1.9) verwendet werden, um den Regler zu konfigurieren: (beim Verwenden der Bluetooth App wird ein Dongle benötigt.)

3.6 Der Last-Ausgang (siehe Abbildungen 1 und 2 am Ende des Handbuchs)

Der VE. Direct Kommunikationsport (siehe Abschnitt 1.8) verwendet werden, um den Lastausgang zu konfigurieren: (beim Verwenden der Bluetooth App wird ein Dongle benötigt.)

Alternativ kann eine Überbrückung zum Konfigurieren des Lastausgangs verwendet werden und zwar wie folgt:

- **Keine Überbrückung:** BatteryLife Algorithmus (Siehe 1.4.)
- **Überbrückung zwischen Pin 1 und Pin 2:** herkömmliche
Abschalten der Last bei geringer Spannung: 11,1 V oder 22,2 V
Automatisches erneutes Einschalten der Last: 13,1 V oder 26,2 V
- **Überbrückung zwischen Pin 2 und Pin 3:** herkömmliche
Abschalten der Last bei geringer Spannung: 11,8 V oder 23,6 V
Automatisches erneutes Einschalten der Last: 14 V oder 28 V

Einige Lasten mit einem hohen Einschaltstrom werden am besten direkt an die Batterie angeschlossen. Falls ein Eingang mit ferngesteuerter Ein-/Ausschaltung vorhanden ist, können diese Lasten gesteuert werden, indem der Lastausgang des Reglers an diesen Eingang angeschlossen wird. Es kann dafür ein besonderes Schnittstellenkabel erforderlich sein.

Alternativ kann auch ein BatteryProtect zur Steuerung der Last verwendet werden. Technische Daten hierzu finden Sie auf unserer Website.

Niedrigleistungswechselrichter wie die **Phoenix VE.Direct Wechselrichter** bis zu 375 VA, können direkt über den Lastausgang versorgt werden. Die maximale Ausgangsleistung wird jedoch durch die Strombegrenzung des Lastausgangs begrenzt.

Phoenix VE.Direct Wechselrichter lassen sich auch steuern, indem der linksseitige Anschluss der Fernsteuerung an den Lastausgang angeschlossen wird.

Die Überbrückung an der Fernsteuerung zwischen dem linken und dem rechten Ausgang muss entfernt werden.

Die Victron Wechselrichter-Modelle Phoenix 12/800, 24/800, 12/1200 und 24/1200 lassen sich steuern, indem der Anschluss auf der rechten Seite der Wechselrichter-Fernsteuerung direkt an den Lastausgang angeschlossen wird (siehe Abbildung 4 am Ende dieses Handbuchs).

Bei Victron Wechselrichtern des Modells Phoenix 12/180, 24/180, 12/350, 24/350, den Phoenix Wechselrichter Compact Modellen und den MultiPlus Compact Modellen wird ein Schnittstellenkabel benötigt: das invertierende Kabel für ferngesteuertes Ein-/Ausschalten, Artikelnummer ASS030550100, siehe Abbildung Nr. 5 am Ende dieses Handbuchs).

3.7 LED-Lampen

Grüne LED: zeigt an, welcher Algorithmus zur Lastausgangssteuerung ausgewählt wurde.
An: einer der beiden konventionellen Algorithmen zur Lastausgangssteuerung (siehe Abb. 2)

Blinkt: BatteryLife Lastausgangssteuerungs-Algorithmus (siehe Abb. 2)

Gelbe LED: zeigt die Ladesequenz an

Aus: kein Strom von der PV-Anlage (bzw. PV-Anlage ist verpolt angeschlossen)

Blinkt schnell: Konstantladung (Batterie befindet sich in einem teilweise geladenen Zustand).

Blinkt langsam: Konstantspannungsphase (Batterie ist zu 80 % oder mehr geladen).

An: Erhaltungsladungsphase (Batterie ist voll aufgeladen).

Die neuesten und aktuellsten Informationen über die Blink-Codes finden Sie in der Victron Toolkit App. Klicken Sie auf den QR-Code oder scannen Sie ihn ein, um zur Seite Support und Downloads/Software von Victron zu gelangen.



3.8 Informationen zum Batterieladevorgang

Der Lade-Regler beginnt jeden Morgen bei Sonnenschein einen neuen Lade-Zyklus.

Blei-Säure-Batterien: Standardmethode zur Bestimmung von Länge und Ende der Absorption

Das Ladealgorithmusverhalten von MPPTs unterscheidet sich von dem von AC angeschlossenen Batterieladegeräten. Bitte lesen Sie diesen Abschnitt des Handbuchs sorgfältig durch, um das Verhalten von MPPT zu verstehen, und befolgen Sie immer die Empfehlungen Ihres Batterieherstellers.

Standardmäßig wird die Konstantspannungszeit bei Leerlaufspannung der Batterie zu Beginn eines jeden Tages anhand der folgenden Tabelle bestimmt:

Batteriespannung VB (beim Startup)	Multiplikator	Maximale Konstantspannungszeit
$V_b < 11,9 \text{ V}$	x 1	6h
$11,9 \text{ V} < V_b < 12,2 \text{ V}$	x 2/3	4h
$12,2 \text{ V} < V_b < 12,6 \text{ V}$	x 1/3	2h
$V_b > 12,6 \text{ V}$	x 1/6	1h

(12 V-Werte, einstellbar für 24 V)

Standard-Absorptionsspannung: 14,4 V

Standard-Float-Spannung: 13,8 V

Der Aufnahmezeitähler beginnt nach dem Umschalten von Bulk auf Absorption.

Die MPPT Solarladegeräte beenden auch die Absorption und schalten auf Floating um, wenn der Batteriestrom unter einen Schwellenwert für einen niedrigen Strom, den "Schweifstrom", fällt.

Der voreingestellte Schweifstromwert ist 1 A.

Bei Modellen mit Lastausgang wird der Strom an den Batterieklemmen und bei größeren Modellen der Strom an den Ausgangsklemmen verwendet.

Die Standardeinstellungen (Spannungen, Aufnahmezeitmultiplikator und Schweifstrom) können mit der Victronconnect App über Bluetooth (VE.Direct Bluetooth Smart Dongle erforderlich) oder über VE.Direct geändert werden.

Es gibt zwei Ausnahmen vom Normalbetrieb:

1. Bei Verwendung in einem ESS-System ist der Algorithmus des Solarladegeräts deaktiviert und folgt stattdessen der vom Wechselrichter/Ladegerät vorgegebenen Kurve.
2. Für CAN-Bus-Lithium-Batterien, wie BYD, sagt die Batterie dem System, einschließlich des Solarladegeräts, welche Ladespannung verwendet werden soll. Diese Ladespannungsbegrenzung (CVL) ist für einige Batterien sogar dynamisch; ändert sich im Laufe der Zeit; basierend zum Beispiel auf der maximalen Zellenspannung im Paket und anderen Parametern.

Abweichungen vom erwarteten Verhalten

1. Pausieren des Absorptionszeitzählers
Der Absorptionszeitzähler startet bei Erreichen der konfigurierten Absorptionsspannung und pausiert, wenn die Ausgangsspannung unter der konfigurierten Absorptionsspannung liegt.
Ein Beispiel dafür, wann dieser Spannungsabfall auftreten könnte, ist, wenn die PV-Leistung (aufgrund von Wolken, Bäumen, Brücken) nicht ausreicht, um die Batterie aufzuladen und die Verbraucher zu betreiben.
Wenn der Absorptionstimer angehalten wird, blinkt die Absorptions-LED sehr langsam.
2. Neustart des Ladevorgangs
Der Ladealgorithmus wird zurückgesetzt, wenn der Ladevorgang für eine Stunde unterbrochen wurde. Dies kann auftreten, wenn die PV-Spannung aufgrund von schlechtem Wetter, Schatten oder ähnlichem unter die Batteriespannung fällt.
3. Der Akku wird vor Beginn der Solarladung geladen oder entladen
Die automatische Aufnahmezeit basiert auf der Spannung der Startbatterie (siehe Tabelle). Diese Abschätzung der Aufnahmezeit kann falsch sein, wenn eine zusätzliche Ladequelle (z.B. Lichtmaschine) oder eine Belastung der Batterien vorliegt.
Dies ist ein inhärentes Problem des Standardalgorithmus. In den meisten Fällen ist sie jedoch immer noch besser als eine feste Aufnahmezeit, unabhängig von anderen Ladequellen oder dem Batteriezustand.
Es ist möglich, den standardmäßigen Algorithmus der Aufnahmezeit zu überschreiben, indem bei der Programmierung des Solarladereglers eine feste Aufnahmezeit eingestellt wird. Beachten Sie, dass dies zu einer Überladung der Batterien führen kann. Die empfohlenen Einstellungen finden Sie bei Ihrem Batteriehersteller.
4. Absorptionszeit bestimmt durch den Schweifstrom
In einigen Anwendungen kann es vorzuziehen sein, die Resorptionszeit nur auf der Grundlage des Schweifstroms zu beenden. Dies kann durch Erhöhen des Standard-Absorptionszeitmultiplikators erreicht werden.
(Warnung: Der Schweifstrom von Blei-Säure-Batterien sinkt nicht auf Null, wenn die Batterien vollständig geladen sind, und dieser "verbleibende" Schweifstrom kann mit zunehmendem Alter der Batterien erheblich ansteigen.)

Standardeinstellung, LiFePO4-Akkus

LiFePO₄-Akkus müssen nicht vollständig geladen sein, um einen vorzeitigen Ausfall zu vermeiden.

Die Standardeinstellung der Absorptionsspannung ist 14,2 V (28,4 V).

Und die Standardeinstellung der Aufnahmezeit ist 2 Stunden.

Standardeinstellung des Floats: 13,2 V (26,4 V).

Diese Einstellungen sind einstellbar.

Zurücksetzen des Ladealgorithmus:

Die Standardeinstellung für den Neustart des Ladezyklus ist $V_{batt} < (V_{float} - 0,4 \text{ V})$ für Blei-Säure und $V_{batt} < (V_{float} - 0,1 \text{ V})$ für LiFePO₄-Akkus, während 1 Minute.

(Werte für 12 V-Batterien, bei 24 V mit zwei multiplizieren)

3.9 Automatischer Zellenausgleich

Der automatische Zellenausgleich ist standardmäßig auf "OFF" (aus) eingestellt. Mit der Victron Connect-App (siehe Abschnitt 1.9) kann diese Einstellung mit einer Zahl zwischen 1 (jeden Tag) und 250 (einmal alle 250 Tage) konfiguriert werden.

Ist der automatische Zellenausgleich aktiviert, folgt auf die Konstantspannungsphase eine Phase mit spannungsbegrenztem Konstantstrom. Dieser Strom ist für den werksseitig eingestellten Batterietyp auf 8 % oder 25 % des Konstantstroms. Der Konstantstrom ist der Ladenennstrom, es sei denn, es wurde eine niedrigere Einstellung für den Maximalstrom gewählt.

Bei Verwendung einer Einstellung mit 8 % Strombegrenzung endet der automatische Ausgleich bei Erreichen der Spannungsgrenze oder nach 1 Stunde, je nachdem, was zuerst eintritt.

Weitere Einstellungen: Der automatische Ausgleich endet nach 4 Stunden.

Wenn der automatische Ausgleich nicht innerhalb eines Tages vollständig abgeschlossen ist, wird er am nächsten Tag nicht wieder aufgenommen, die nächste Ausgleichssitzung findet statt, wie durch das Tagesintervall bestimmt.

3.10 VE.Direct Kommunikationsanschluss

Siehe Abschnitte 1.9 und 3.5.

EN

NL

FR

DE

ES

SE

IT

Appendix

4. Fehlerbehebung

Problem	Mögliche Ursache	Lösung
Das Ladegerät funktioniert nicht.	verpoltter PV Anschluss	schließen Sie die PV korrekt an.
	Keine Sicherung eingebaut.	Bauen Sie eine 20 A Sicherung ein.
Sicherung ausgelöst	verpoltter Batterieanschluss	1. Batterie korrekt anschließen 2. Sicherung ersetzen
Die Batterie wird nicht voll aufgeladen.	Fehlerhafter Batterieanschluss.	Überprüfen Sie den Batterieanschluss.
	Zu hohe Kabelverluste	Verwenden Sie Kabel mit einem größeren Durchmesser.
	Große Differenz zwischen der Umgebungstemperatur des Ladegeräts und der Batterie ($T_{\text{ambient_chrg}} > T_{\text{ambient_batt}}$)	Stellen Sie sicher, dass die Umgebungsbedingungen des Ladegerätes und der Batterie gleich sind.
	<i>Nur bei einem 24 V System:</i> falsche System-Spannung durch den Lade-Regler ausgewählt (12 V anstatt 24 V).	Stellen Sie den Regler manuell auf die erforderliche Systemspannung (siehe Abschnitt 1.8).
Die Batterie wird überladen.	Eine Batteriezelle ist fehlerhaft.	Ersetzen Sie die Batterie.
	Große Differenz zwischen der Umgebungstemperatur des Ladegeräts und der Batterie ($T_{\text{ambient_chrg}} < T_{\text{ambient_batt}}$)	Stellen Sie sicher, dass die Umgebungsbedingungen des Ladegerätes und der Batterie gleich sind.
Lastausgang wird nicht aktiv.	Maximale Strombegrenzung überschritten	Stellen Sie sicher, dass der Ausgangsstrom nicht bei über 15 A liegt.
	DC-Last liegt in Kombination mit kapazitiver Last (z. B. Wechselrichter) an	Trennen Sie die DC-Last während des Einschaltens der kapazitiven Last. Trennen Sie die DC-Last während des Einschaltens von der kapazitiven Last. Trennen Sie die AC-Last vom Wechselrichter oder schließen Sie den Wechselrichter wie in Abschnitt 3.6 erläutert an.
	Kurzschluss	Überprüfen Sie den Lastanschluss nach Kurzschlüssen.

5. Technische Daten, 75 V Modelle

BlueSolar Lade-Regler	MPPT 75/10	MPPT 75/15
Batteriespannung	12/24V Automatische Wahl	
Maximaler Batteriestrom	10A	15A
Nenn PV-Leistung, 12 V 1a, b)	145W	220W
Nenn PV-Leistung, 24 V 1a, b)	290W	440W
Max. PV Kurzschlussstrom 2)	13A	15A
Automatische Lastabschaltung	Ja, maximale Last 15A	
Maximale PV-Leerspannung	75V	
Spitzenwirkungsgrad	98%	
Eigenverbrauch	12V: 20 mA 24V: 10 mA	
'Konstant'-Ladespannung	14,4V / 28,8V (regulierbar)	
"Ausgleichs"-Ladespannung 3)	16,2V / 32,4V (regulierbar)	
'Erhaltungs'-Ladespannung	13,8V / 27,6V (regulierbar)	
Ladealgorithmus	mehrstufiger adaptiver oder benutzerdefinierter Algorithmus	
Temperaturkompensation	-16 mV / °C bzw. -32 mV / °C	
Unterbrechungsfreier/Laststrom	15 A	
Unterbrechung bei geringer Spannungsbelastung	11,1V / 22,2V oder 11,8V / 23,6V oder BatteryLife Algorithmus	
Erneutes Verbinden nach geringer Spannungsbelastung	13,1V / 26,2V oder 14V / 28V oder BatteryLife Algorithmus	
Schutz	Ausgang Kurzschluss Überhitzung	
Betriebstemperatur	-30 bis +60°C (voller Nennausgang bis zu 40°C)	
Feuchte	100%, nicht-kondensierend	
Maximale Höhe	5000 m (voller Nennausgang bis zu 2000 m)	
Umgebungsbedingungen	für den Innenbereich Type 1, ohne besonderen Bedingungen	
Verschmutzungsgrad	PD3	
Datenkommunikationsport	VE.Direct Siehe Informationsbroschüre zu Datenkommunikation auf unserer Webseite.	
GEHÄUSE		
Farbe	Blau (RAL 5012)	
Stromanschlüsse	6 mm ² / AWG10	
Schutzklasse	IP43 (elektronische Bauteile) IP 22 (Anschlussbereich)	
Gewicht	0,5 kg	
Maße (HxBxT)	100 x 113 x 40 mm	
NORMEN		
Sicherheit	EN/IEC 62109-1 / UL 1741 / CSA C22.2 NO.107.1-16	
1a) Wenn mehr PV-Strom angeschlossen ist, begrenzt der Regler die Eingangsleistung 1b) Die PV-Spannung muss mindestens die Höhe von Vbat + 5 V erreichen, damit der Regler den Betrieb aufnimmt. Danach liegt der Mindestwert der PV-Spannung bei Vbat + 1 V.		
2) Ein höherer Kurzschlussstrom kann den Regler im Falle eines verpolten Anschlusses der PV-Anlage beschädigen.		
3) Standardeinstellung: AUS		

EN

NL

FR

DE

ES

SE

IT

Appendix

Technische Daten, 100 V Modelle

BlueSolar Lade-Regler	MPPT 100/15
Batteriespannung	12/24V Automatische Wahl
Maximaler Batteriestrom	15A
Nenn PV-Leistung, 12 V 1a, b)	220W
Nenn PV-Leistung, 24 V 1a, b)	440W
Max. PV Kurzschlussstrom 2)	15A
Automatische Lastabschaltung	Ja, maximale Last 15A bzw. 20A
Maximale PV-Leerspannung	100V
Spitzenwirkungsgrad	98%
Eigenverbrauch	12V: 20 mA 24V: 10 mA
'Konstant'-Ladespannung	14,4V / 28,8V (regulierbar)
"Ausgleichs"-Ladespannung	16,2V / 32,4V (regulierbar)
'Erhaltungs'-Ladespannung	13,8V / 27,6V (regulierbar)
Ladealgorithmus	mehrstufiger adaptiver oder benutzerdefinierter Algorithmus
Temperaturkompensation	-16 mV / °C bzw. -32 mV / °C
Unterbrechungsfreier Laststrom	15A
Unterbrechung bei geringer Spannungsbelastung	11,1V / 22,2V oder 11,8V / 23,6V oder BatteryLife Algorithmus
Erneutes Verbinden nach geringer Spannungsbelastung	13,1V / 26,2V oder 14V / 28V oder BatteryLife Algorithmus
Schutz	Ausgang Kurzschluss Überhitzung
Betriebstemperatur	-30 bis +60°C (voller Nennausgang bis zu 40°C)
Feuchte	100%, nicht-kondensierend
Maximale Höhe	5000m (voller Nennausgang bis zu 2000m)
Umgebungsbedingungen	für den Innenbereich Type 1, ohne besonderen Bedingungen
Verschmutzungsgrad	PD3
Datenkommunikationsport	VE.Direct Port Siehe Informationsbroschüre zu Datenkommunikation auf unserer Webseite.
GEHÄUSE	
Farbe	Blau (RAL 5012)
Stromanschlüsse	6 mm ² / AWG10
Schutzklasse	IP43 (elektronische Bauteile) IP 22 (Anschlussbereich)
Gewicht	0,6kg
Maße (HxBxT)	100 x 113 x 50mm
Sicherheit	EN/IEC 62109-1, UL 1741, CSA C22.2
<p>1a) Wenn mehr PV-Strom angeschlossen ist, begrenzt der Regler die Eingangsleistung 1b) Die PV-Spannung muss mindestens die Höhe von Vbat + 5 V erreichen, damit der Regler den Betrieb aufnimmt. Danach liegt der Mindestwert der PV-Spannung bei Vbat + 1 V.</p> <p>2) Ein höherer Kurzschlussstrom kann den Regler im Falle eines verpolten Anschlusses der PV-Anlage beschädigen.</p>	

BlueSolar Lade-Regler	MPPT 100/20-48V
Batteriespannung	12 / 24 / 48V Automatische Wahl
Maximaler Batteriestrom	20 A
Nominale PV-Leistung, 48V 1a,b)	1160 W (290W / 580W / 870W)
Max. Kurzschlussstrom der Solaranlage 2)	20 A
Automatische Lastabschaltung	Ja, maximale Last 20A(12/24V) & 0,1A(36/48V)
Maximale PV-Leerspannung	100 V
Spitzenwirkungsgrad	98 %
Eigenverbrauch	25 / 15 / 15 mA
„Konstant“-Ladespannung (absorption)	14,4V / 28,8V / 43,2V / 57,6V (regulierbar)
"Ausgleichs"-Ladespannung (equalization)	16,2V / 32,4V / 48,6V / 64,8V (regulierbar)
"Erhaltungs"-Ladespannung (float)	13,8V / 27,6V / 41,4V / 55,2V (regulierbar)
Ladealgorithmus	mehrstufiger adaptiver oder benutzerdefinierter Algorithmus
Temperaturkompensation	-16mV/ °C / -32mV/ °C / -48mV/ °C / -64mV/ °C
Unterbrechungsfreier/Laststrom (12V / 24V)	20A
Unterbrechungsfreier/Laststrom (48V)	1A
Abschalten der Last bei geringer Spannung	11,1 / 22,2 / 33,3 / 44,4V oder 11,8 / 23,6 / 35,4 / 47,2V oder BatteryLife Algorithmus
Erneutes Verbinden der Last nach niedriger Spannung	13,1 / 26,2 / 39,3 / 52,4V oder 14 / 28 / 42 / 56V oder BatteryLife Algorithmus
Schutz	Kurzschluss Ausgang / Überhitzung
Betriebstemperatur	-30°C bis +60°C (voller Nennausgang bis zu 40°C)
Feuchte	100 % nicht kondensierend
Maximale Höhe	5000 m (voller Nennausgang bis zu 2000 m)
Umgebungsbedingungen	Für Innenbereiche Typ 1, keine Bedingungen
Verschmutzungsgrad	PD3
Datenkommunikationsport	VE.Direct Siehe Informationsbroschüre zu Datenkommunikation auf unserer Webseite.
GEHÄUSE	
Farbe	Blau (RAL 5012)
Stromanschlüsse	6 mm ² / AWG10
Schutzklasse	IP43 (elektronische Bauteile) IP22 (Anschlussbereich)
Gewicht	0,65 kg
Maße (HxBxT)	100 x 113 x 60 mm
NORMEN	
Sicherheit	EN/IEC 62109-1, UL 1741, CSA C22.2
<p>1a) Wenn mehr PV-Strom angeschlossen ist, begrenzt der Regler die Eingangsleistung 1b) Die PV-Spannung muss mindestens die Höhe von Vbat + 5 V erreichen, damit der Regler den Betrieb aufnimmt. Danach liegt der Mindestwert der PV-Spannung bei Vbat + 1 V. 2) Ein höherer Kurzschlussstrom kann den Regler im Falle eines verpolten Anschlusses der PV-Anlage beschädigen.</p>	

1 Descripción General

1.1 Seguimiento MPPT ultrarrápido

Especialmente con cielos nublados, cuando la intensidad de la luz cambia continuamente, un controlador MPPT rápido mejorará la recogida de energía hasta en un 30 %, en comparación con los controladores de carga PWM, y hasta en un 10 % en comparación con controladores MPPT más lentos.

1.2 VE.Direct

Para una conexión de datos con cable a un Color Control, un PC u otros dispositivos.

1.3 Salida de carga

Se puede evitar que la batería se descargue en exceso conectando todas las cargas a la salida de carga. Esta salida desconectará la carga cuando la batería se haya descargado hasta alcanzar una tensión preestablecida.

También se puede establecer un algoritmo de gestión inteligente de la batería: ver BatteryLife.

La salida de carga es a prueba de cortocircuitos.

Algunas cargas (especialmente los inversores) es mejor conectarlas directamente a la batería, y el control remoto del inversor a la salida de carga. Puede que se necesite un cable de interfaz especial; por favor, consulte la sección 3.6.

1.4 BatteryLife: gestión inteligente de la batería

Si un controlador de carga solar no es capaz de recargar la batería a plena capacidad en un día, lo que sucede es que el ciclo de la batería cambia continuamente entre los estados "parcialmente cargada" y "final de descarga". Este modo de funcionamiento (sin recarga completa periódica) destruirá una batería de plomo-ácido en semanas o meses. El algoritmo BatteryLife controlará el estado de carga de la batería y, si fuese necesario, incrementará día a día el nivel de desconexión de la carga (esto es, desconectará la carga antes) hasta que la energía solar recogida sea suficiente como para recargar la batería hasta casi el 100 %. A partir de ese punto, el nivel de desconexión de la carga se modulará de forma que se alcance una recarga de casi el 100 % alrededor de una vez a la semana.

1.5 Carga en tres fases

El controlador está configurado para un proceso de carga en tres fases: Inicial-Absorción-Flotación.

Consulte en las secciones 3.8 y 5 los valores predeterminados.

Consulte en la sección 1.8 los ajustes definidos por el usuario.

1.5.1. Carga inicial

Durante esta fase, el controlador suministra tanta corriente de carga como le es posible para recargar las baterías rápidamente.

1.5.2. Absorción

Cuando la tensión de la batería alcanza la tensión de absorción predeterminada, el controlador cambia a modo de tensión constante.

Cuando la descarga es superficial, la fase de absorción se acorta para así evitar una sobrecarga de la batería. Después de una descarga profunda, el tiempo de carga de absorción aumenta automáticamente para garantizar una recarga completa de la batería. Además, el periodo de absorción también se detiene cuando la corriente de carga disminuye a menos de 1 A.

1.5.3. Flotación

Durante esta fase se aplica la tensión de flotación a la batería para mantenerla completamente cargada.

1.5.4. Ecuilización

Véase la sección 3.9

1.6 Sensor de temperatura interna

Compensa las tensiones de carga de absorción y flotación en función de la temperatura (rango de 6 °C a 40 °C).

1.7 Sensor opcional externo de tensión y temperatura (rango de -20 °C a 50 °C)

Smart Battery Sense es un sensor inalámbrico de temperatura y de tensión de la batería para los cargadores solares MPPT de Victron. El cargador solar usa estas mediciones para optimizar sus parámetros de carga. La precisión de los datos que transmite mejora la eficiencia de carga de la batería y prolonga la vida de la batería (se necesita la mochila VE.Direct Bluetooth Smart).

Alternativamente, se puede establecer **comunicación por Bluetooth** entre un **monitor de batería BMV-712** con sensor de la temperatura de la batería y el controlador de carga solar (se necesita una mochila VE.Direct Bluetooth Smart). Para más información introduzca **smart networking** (trabajo en red smart) en el cuadro de búsqueda de nuestro sitio web.

1.8 Reconocimiento automático de la tensión de la batería

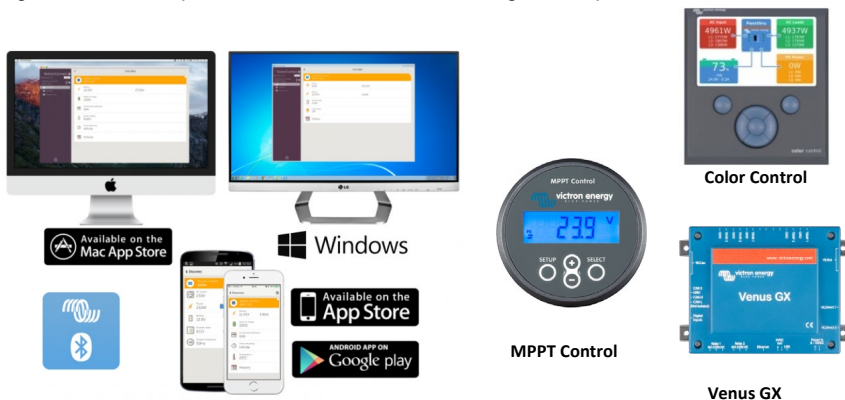
El controlador se ajusta automáticamente a sistemas de 12 ó 24 V **una sola vez**.

Si más adelante se necesitara una tensión distinta para el sistema, deberá cambiarse manualmente, por ejemplo con la app Bluetooth, véase la sección 3.8.

1.9 Configuración y seguimiento

Configure el controlador de carga solar con la aplicación VictronConnect. Disponible para dispositivos iOS y Android; así como para ordenadores macOS y Windows. Es posible que haga falta un accesorio; introduzca **victronconnect** en el cuadro de búsqueda de nuestro sitio web y consulte más información en la página de descargas de VictronConnect.

Para un control simple, use MPPT Control; un panel montado, sencillo pero efectivo que muestra todos los parámetros operativos. El control completo del sistema, incluido el registro en nuestro portal online VRM, se hace con la gama de productos GX.



2. IMPORTANTES INSTRUCCIONES DE SEGURIDAD

GUARDE ESTAS INSTRUCCIONES - Este manual contiene instrucciones importantes que deberán observarse durante la instalación y el mantenimiento.



Peligro de explosión por chispas

Peligro de descarga eléctrica

- Se aconseja leer este manual detenidamente antes de instalar y utilizar el producto.
- Este producto ha sido diseñado y comprobado de acuerdo con los estándares internacionales. El equipo debe utilizarse exclusivamente para la aplicación prevista.
- Instale el producto en un lugar protegido del calor. Compruebe también que no haya productos químicos, piezas de plástico, cortinas u otros géneros textiles, etc., junto al equipo.
- Este producto no puede instalarse en zonas a las que pueda acceder el usuario.
- Compruebe que el equipo se utiliza en condiciones de funcionamiento adecuadas. No lo utilice en un entorno húmedo.
- No utilice nunca el producto en lugares donde puedan producirse explosiones de gas o polvo.
- Compruebe que hay suficiente espacio alrededor del producto para su ventilación.
- Consulte las especificaciones suministradas por el fabricante de la batería para asegurarse de que la misma puede utilizarse con este producto. Las instrucciones de seguridad del fabricante de la batería deben tenerse siempre en cuenta.
- Proteja los módulos solares de la luz incidental durante la instalación, es decir, tápelos.
- No toque nunca terminales de cable no aislados.
- Utilice exclusivamente herramientas aisladas.
- Las conexiones siempre deben realizarse siguiendo la secuencia descrita en la sección 3.5.
- El instalador del producto deberá poner un pasacables antitracción para evitar tensiones indebidas sobre los terminales de conexión.
- Además de este manual, el manual de funcionamiento del sistema o manual de servicio deberá incluir un manual de mantenimiento que corresponda con el tipo de batería que se esté usando.

EN

NL

FR

DE

ES

SE

IT

Appendix

3. Instalación

ADVERTENCIA: ENTRADA CC (FV) NO AISLADA DEL CIRCUITO DE BATERÍAS
PRECAUCIÓN: PARA UNA COMPENSACIÓN DE TEMPERATURA ADECUADA, ENTRE LA TEMPERATURA AMBIENTE DEL CARGADOR Y LA DE LA BATERÍA NO DEBERÍA HABER UNA DIFERENCIA DE MÁS O MENOS 5°C.

3.1. General

- Montar verticalmente sobre una superficie no inflamable, con los terminales de conexión hacia abajo. Dejar un espacio de al menos 10 cm por encima y por debajo del producto para una refrigeración óptima.
- Montar cerca de la batería, pero nunca directamente encima de la misma (para evitar daños debido a los vapores generados por el gaseado de la batería).
- Una compensación de temperatura interna inadecuada (p.ej. que entre la temperatura ambiente de la batería y la del cargador haya una diferencia superior a los 5 °C) podría reducir la vida útil de la batería.

Se recomienda el uso de una fuente de detección de tensión de la batería directa (BMV, Smart Battery Sense o dispositivo GX con sensor de tensión compartida) si se espera que haya diferencias de temperatura más altas o condiciones de temperatura ambiental extrema. esperan grandes diferencias de temperatura o condiciones climatológicas extremas.

- La instalación de la batería debe llevarse a cabo según las normas de almacenamiento de baterías del Código Eléctrico Canadiense, Parte 1.
- Las conexiones de la batería y las conexiones FV deben protegerse de contactos fortuitos (p.ej. instalándolas en una caja o instalando el WireBox S opcional).

3.2 Puesta a tierra

- **Puesta a tierra de la batería:** el cargador puede instalarse en un sistema con puesta a tierra positiva o negativa.

Nota: ponga a tierra una sola conexión a tierra (preferentemente cerca de la batería) para evitar fallos de funcionamiento del sistema.

- **Puesta a tierra del chasis:** Se permite una puesta a tierra separada para el chasis, ya que está aislado de los terminales positivo y negativo.
- El Código Eléctrico Nacional de Estados Unidos (NEC) requiere el uso de un dispositivo externo de protección contra fallos de puesta a tierra (GFPD). Los cargadores MPPT no disponen de protección interna contra fallos de puesta a tierra. El negativo eléctrico del sistema deberá conectarse a tierra a través de un GFPD y en un solo punto (y sólo uno).
- El cargador no debe estar conectado con sistemas FV puestos a tierra.
- El positivo y negativo de los paneles FV no deben ponerse a tierra. Ponga a tierra el bastidor de los paneles FV para reducir el impacto de los rayos.

ADVERTENCIA: CUANDO SE INDICA UN FALLO DE CONEXIÓN A TIERRA, PUEDE QUE LOS TERMINALES DE LA BATERÍA Y LOS CIRCUITOS CONECTADOS NO ESTÉN CONECTADOS A TIERRA Y SEAN PELIGROSOS.

3.3. Configuración FV (ver también la hoja de Excel para MPPT en nuestra web)

- Proporcione medios de desconexión de todos los cables que lleven corriente de una fuente eléctrica FV de todos los demás cables de un edificio u otra estructura.
- Un interruptor, disyuntor u otro dispositivo, ya sea CA o CC, no debe instalarse sobre un cable que se haya puesto a tierra si el funcionamiento de dicho interruptor, disyuntor u otro

dispositivo pudiera dejar dicho cable desconectado de la tierra mientras el sistema permanece energizado.

- El controlador funcionará solamente si la tensión FV supera la tensión de la batería (Vbat).
- La tensión PV debe exceder en 5 V la Vbat (tensión de la batería) para que arranque el controlador. Una vez arrancado, la tensión PV mínima es Vbat + 1 V
- Tensión máxima del circuito abierto FV: 75 V y 100 V respectivamente

Por ejemplo:

Batería de 12 V y paneles mono o policristalinos conectados a un controlador de 75 V

- Cantidad mínima de celdas en serie: 36 (panel de 12 V).
- Cantidad recomendada de celdas para lograr la mayor eficiencia del controlador: 72 (2 paneles de 12 V en serie o 1 de 24 V).
- Máximo: 108 celdas (3 paneles de 12 V en serie).

Batería de 24 V y paneles mono o policristalinos conectados a un controlador de 100 V

- Cantidad mínima de celdas en serie: 72 (2 paneles de 12 V en serie o 1 de 24 V).
- Máximo: 144 celdas (4 paneles de 12 V en serie).

Observación: a baja temperatura, la tensión de circuito abierto de un panel solar de 108 celdas podría exceder los 75 V y la tensión de un circuito abierto de un panel solar de 144 celdas podría exceder los 100 V, dependiendo de las condiciones locales y del tipo de celdas. En este caso, la cantidad de celdas en serie deberá reducirse.

3.4 Secuencia de conexión de los cables (ver figura 3)

Primero: conectar los cables a la carga, pero asegurándose de que todas las cargas están apagadas.

Segundo: conectar la batería (esto permitirá al controlador reconocer la tensión del sistema).

Tercero: conectar el conjunto de paneles solares (si se conecta con la polaridad invertida, el controlador se calentará, pero no cargará la batería).

Torsión: 0,75 Nm

El sistema ya está listo para usar.

3.5 Configuración del controlador

El puerto de comunicación VE.Direct (véase la sección 1.9) puede usarse para configurar el controlador. (se necesita una mochila Bluetooth si se utiliza la app Bluetooth)

3.6 La salida de la carga (ver figuras 1 y 2 al final de este manual)

El puerto de comunicación VE.Direct (ver sec. 1.8) puede usarse para configurar la salida de carga. (se necesita una mochila Bluetooth si se utiliza la app Bluetooth)

Como alternativa, se puede usar un puente para configurar la salida de carga como sigue:

- **Ningún puente:** Algoritmo BatteryLife (ver 1.4.)
- **Puente entre pines 1 y 2:** convencional
Desconexión de la carga por baja tensión: 11,1 V ó 22,2 V
Reconexión automática de la carga 13,1 V ó 26,2 V

- **Puente entre pines 2 y 3:** convencional

Desconexión de la carga por baja tensión: 11,8 V ó 23,6 V

Reconexión automática de la carga 14 V ó 28 V

Algunas cargas con una alta corriente de irrupción es mejor conectarlas directamente a la batería. Si están equipadas con un interruptor on-off remoto, estas cargas pueden controlarse conectando la salida de carga del controlador a este interruptor on-off remoto. Puede que se necesite un cable de interfaz especial.

Como alternativa, se puede usar el BatteryProtect para controlar la carga. Por favor, consulte en nuestro sitio web las especificaciones.

Los inversores de baja potencia, como el **Phoenix VE.Direct** de hasta 375 VA, pueden alimentarse directamente con la salida de carga, pero la potencia máxima de salida se verá limitada por el límite de corriente de dicha salida de carga.

Los inversores Phoenix VE.Direct también pueden controlarse conectando la conexión de la parte izquierda del control remoto a la salida de carga.

El puente en el control remoto entre izquierda y derecha deberá retirarse.

Los inversores Victron, modelos Phoenix 12/800, 24/800, 12/1200 y 24/1200, pueden controlarse conectando el conector derecho del control remoto del inversor directamente a la salida de carga (ver figura 4 al final de este manual)..

En el caso de los inversores Victron, modelos Phoenix 12/180, 24/180, 12/350, 24/350, los modelos Phoenix Compact y MultiPlus Compact necesitan un cable de interfaz: el cable on-off remoto al inversor, número de artículo ASS030550100, ver figura 5 al final de este manual).

3.7 LEDs

LED verde: indica qué algoritmo de salida de carga se ha seleccionado.

On: uno de los dos algoritmos de control de salida de carga convencionales (ver Fig. 2)

Parpadeo: Algoritmo de control de salida de carga BatteryLife (ver Fig. 2)

LED amarillo: señala la secuencia de carga

Off: no llega electricidad de las placas FV (o su polaridad está invertida)

Parpadeo rápido: carga inicial (batería parcialmente cargada)

Parpadeo lento: carga de absorción (batería cargada al 80 % o más)

On: carga de flotación (batería completamente cargada)

Para la información más reciente y actualizada sobre los códigos intermitentes, le rogamos consulte la aplicación Victron Toolkit. Haga clic o escanee el código QR para ir a la página de Asistencia y Descargas/Software de Victron.



3.8 Información sobre la carga de las baterías

El controlador de carga inicia un nuevo ciclo de carga cada mañana, cuando empieza a brillar el sol.

Baterías de ácido y plomo: método predeterminado para determinar la longitud y el final de la absorción

El comportamiento del algoritmo de carga de los MPPTs es distinto del de los cargadores de batería conectados a CA. Por favor, lea esta sección del manual detenidamente para entender el comportamiento del MPPT y siga siempre las recomendaciones del fabricante de su batería.

Por defecto, el periodo de absorción se determina sobre la tensión de la batería inactiva al comienzo de cada día en función de la siguiente tabla:

Tensión de la batería V_b (al ponerse en marcha)	Multiplicador	Tiempo máximo de absorción
$V_b < 11,9 \text{ V}$	x 1	6 h
$11,9 \text{ V} < V_b < 12,2 \text{ V}$	x 2/3	4 h
$12,2 \text{ V} < V_b < 12,6 \text{ V}$	x 1/3	2 h
$V_b > 12,6 \text{ V}$	x 1/6	1 h

(Valores para 12 V, es necesario ajustarlos para 24 V)

Tensión de absorción por defecto: 14,4 V

Tensión de flotación por defecto: 13,8 V

El contador del tiempo de absorción empieza una vez que se pasa de carga inicial a absorción.

Los cargadores solares MPPT también terminarán la absorción y pasarán a flotación cuando la corriente de la batería caiga por debajo de un límite de corriente baja, la 'corriente de cola'.

El valor predeterminado de la corriente de cola es 1 A.

Para modelos con una salida de carga, se usa la corriente en los terminales de la batería; y para modelos más grandes, se usa la corriente de los terminales de salida.

Los parámetros predeterminados (tensiones, multiplicador del tiempo de absorción y corriente de cola) pueden modificarse con la aplicación Victronconnect vía Bluetooth (se necesita la mochila VE.Direct Bluetooth Smart) o vía VE.Direct.

Estas son dos excepciones al funcionamiento normal:

1. Cuando se usa en un sistema ESS, el algoritmo del cargador solar se desactiva, y en su lugar se sigue la curva indicada por el inversor/cargador.
2. Para baterías de litio CAN-Bus, como BYD, la batería le dice al sistema, incluido el cargador solar, qué tensión de carga usar. Este Límite de Tensión de Carga (CVL, por sus siglas en inglés) es para algunas baterías incluso dinámicas, cambia con el tiempo, en función, por ejemplo, de la tensión máxima de la celda en el conjunto y de otros parámetros.

Variaciones del comportamiento esperado

1. Parada del contador de tiempo de absorción

El contador del tiempo de absorción empieza cuando se alcanza la tensión de absorción configurada y se detiene cuando la tensión de salida es inferior a la tensión de absorción configurada.

Por ejemplo, esta caída de tensión puede producirse cuando la potencia FV (debido a nubes, árboles o puentes) es insuficiente para cargar la batería y para alimentar las cargas.

Cuando se detiene el contador de absorción, el LED de absorción parpadea muy despacio.

2. Reinicio del proceso de carga

El algoritmo de carga se reseteará si la carga se ha detenido durante una hora. Esto puede suceder cuando la tensión FV cae por debajo de la tensión de la batería por mal tiempo, sombra o algo similar.

3. La batería se está cargando o descargando antes de que comience la carga solar

El tiempo de absorción automática se basa en la tensión de la batería de arranque (véase la tabla). Esta estimación del tiempo de absorción puede ser incorrecta si hay una fuente de carga adicional (p.ej.: un alternador) o carga en las baterías.

Este es un problema inherente en el algoritmo predeterminado. Sin embargo, en la mayoría de los casos, sigue siendo mejor que un tiempo de absorción fijo, independientemente de otras fuentes de carga u otros estados de la batería.

Es posible anular el algoritmo de tiempo de absorción predeterminado estableciendo un tiempo de absorción fijo al programar el controlador de carga solar. Tenga en cuenta que esto puede producir la sobrecarga de sus baterías. Consulte al fabricante de su batería los ajustes recomendados.

4. Tiempo de absorción determinado por la corriente de cola

En algunas aplicaciones puede que sea preferible terminar la absorción en función de la corriente de cola solamente. Esto puede hacerse aumentando el multiplicador del tiempo de absorción predeterminado.

(Advertencia: la corriente de cola de las baterías de ácido y plomo no se reduce a cero cuando las baterías están totalmente cargadas, y esta corriente de cola "sobrante" puede aumentar sustancialmente cuando las baterías envejecen)

Configuración predeterminada, baterías LiFePO4

Las baterías LiFePO4 no necesitan estar totalmente cargadas para evitar fallos prematuros.

El parámetro de tensión de absorción predeterminado es de 14,2 V (28,4 V).

Y el ajuste de tiempo de absorción predeterminado es de 2 horas.

Ajuste de flotación predeterminado: 13,2 V / 26,4 V)

Estos parámetros son ajustables.

Restablecimiento del algoritmo de carga:

El ajuste predeterminado para reiniciar el ciclo de carga es $V_{bat} < (V_{float} - 0,4 \text{ V})$ para ácido y plomo, y $V_{batt} < (V_{float} - 0,1 \text{ V})$ para baterías LiFePO4, durante 1 minuto.

(valores para baterías de 12 V, es necesario multiplicarlos por dos para 24 V)

3.9 Ecuación automática

La ecuación automática está configurada por defecto en "OFF". Con la aplicación VictronConnect (véase la sección 1.9) esta función puede configurarse con un número entre 1 (todos los días) y 250 (una vez cada 250 días).

Cuando la ecuación automática está activada, la carga de absorción irá seguida de un periodo de corriente constante limitado por la tensión. La corriente está limitada al 8 % o al 25 % de la corriente de carga inicial. La corriente de carga inicial es la corriente nominal del cargador, a menos que se haya elegido una corriente máxima de carga inferior.

Cuando se utiliza una configuración con un límite de corriente del 8 %, la ecuación automática finaliza cuando se alcanza la tensión límite, o después de 1 hora, lo que ocurra primero.

Otras configuraciones: la ecuación automática termina después de 4 horas.

Si la ecuación automática no queda completamente terminada en un día, no se reanuda el día siguiente, sino que la siguiente sesión de ecuación automática se llevará a cabo según el intervalo de días programado.

3.10 Puerto de comunicación VE.Direct

Véanse las secciones 1.9 y 3.5.

4. Resolución de problemas

Problema	Causa posible	Solución
El cargador no funciona	Conexión inversa de las placas PV	Conecte las placas PV correctamente
	No hay fusible	Ponga un fusible de 20 A
Fusible fundido	Conexión inversa de la batería	<ol style="list-style-type: none"> 1. Conecte la batería correctamente 2. Sustituya el fusible
La batería no está completamente cargada.	Conexión defectuosa de la batería	Compruebe las conexiones de la batería
	Las pérdidas por cable son demasiado altas	Utilice cables de mayor sección.
	Gran diferencia de temperatura ambiente entre el cargador y la batería ($T_{\text{ambient_chrg}} > T_{\text{ambient_batt}}$)	Asegúrese de la igualdad de condiciones ambientales entre el cargador y la batería
	<i>Sólo para sistemas de 24 V:</i> el controlador de carga ha seleccionado una tensión de sistema equivocada (12 V en vez de 24 V)	Configure el controlador manualmente con la tensión de sistema requerida (ver sección 1.8)
Se está sobrecargando la batería	Una celda de la batería está defectuosa	Sustituya la batería
	Gran diferencia de temperatura ambiente entre el cargador y la batería ($T_{\text{ambient_chrg}} < T_{\text{ambient_batt}}$)	Asegúrese de la igualdad de condiciones ambientales entre el cargador y la batería
La salida de carga no se activa	Se ha excedido el límite de corriente máxima	Asegúrese de que la salida de corriente no exceda los 15 A
	Se ha puesto una carga CC en combinación con una carga capacitiva (p.ej. un inversor)	<p>Desconecte la carga CC durante el inicio de la carga capacitiva</p> <p>Desconecte la carga CC durante el arranque de la carga CA de desconexión de carga capacitiva del inversor,</p>
	Cortocircuito	Compruebe que en la conexión de carga no hay un cortocircuito

5. Especificaciones, modelos de 75 V

Controlador de carga BlueSolar	MPPT 75/10	MPPT 75/15
Tensión de la batería	AutoSelect 12/24 V	
Corriente máxima de la batería	10 A	15 A
Potencia FV nominal, 12 V 1a,b)	145W	220W
Potencia FV nominal, 24 V 1a,b)	290W	440W
Max. corriente de cortocircuito FV 2)	13 A	15 A
Desconexión automática de la carga	Sí, carga máxima 15 A	
Tensión máxima del circuito abierto FV	75 V	
Eficiencia máxima	98 %	
Autoconsumo	12 V: 20 mA 24 V: 10 mA	
Tensión de carga de "absorción"	14,4 V / 28,8 V (ajustable)	
Tensión de carga de "ecualización" 3)	16,2 V / 32,4 V (ajustable)	
Tensión de carga de "flotación"	13,8 V / 27,6 V (ajustable)	
Algoritmo de carga	variable multietapas o algoritmo definido por el usuario	
Compensación de temperatura	-16 mV / °C resp. -32 mV / °C	
Corriente de carga continua	15 A	
Desconexión de carga por baja tensión	11,1 V / 22,2 V o 11,8 V / 23,6 V o algoritmo de BatteryLife	
Reconexión de carga por baja tensión	13,1 V / 26,2 V o 14 V / 28 V o algoritmo de BatteryLife	
Protección	Cortocircuito de salida Exceso de temperatura	
Temperatura de funcionamiento	-30 a +60 °C (potencia nominal completa hasta los 40 °C)	
Humedad relativa	100 %, sin condensación	
Altura máxima de trabajo	5.000 m (potencia nominal completa hasta los 2.000 m)	
Condiciones ambientales	Para interiores tipo 1, no acondicionados	
Grado de contaminación	PD3	
Puerto de comunicación de datos	VE.Direct Consulte el libro blanco sobre comunicación de datos en nuestro sitio web	
CARCASA		
Color	Azul (RAL 5012)	
Terminales de conexión	6 mm ² / AWG10	
Tipo de protección	IP43 (componentes electrónicos) IP 22 (área de conexiones)	
Peso	0,5kg	
Dimensiones (al x an x p)	100 x 113 x 40mm.	
ESTÁNDARES		
Seguridad	EN/IEC 62109-1 / UL 1741 / CSA C22.2 NO.107.1-16	
<p>1a) Si se conecta más potencia FV, el controlador limitará la entrada de potencia. 1b) La tensión FV debe exceder Vbat + 5 V para que arranque el controlador. Una vez arrancado, la tensión FV mínima será de Vbat + 1 V. 2) Una corriente de cortocircuito más alta podría dañar el controlador en caso de polaridad inversa de los paneles FV. 3) Valores predeterminados: OFF</p>		

EN

NL

FR

DE

ES

SE

IT

Appendix

Especificaciones, modelos de 100 V

Controlador de carga BlueSolar	MPPT100/15
Tensión de la batería	AutoSelect 12/24 V
Corriente máxima de la batería	15 A
Potencia FV nominal, 12V 1a,b)	220 W
Potencia FV nominal, 24V 1a,b)	440 W
Max. corriente de cortocircuito PV 2)	15 A
Desconexión automática de la carga	Sí, carga máxima 15 A ó 20 A respectivamente
Tensión máxima del circuito abierto PV	100 V
Eficiencia máxima	98 %
Autoconsumo	12 V: 20 mA 24 V: 10 mA
Tensión de carga de "absorción"	14,4 V / 28,8 V (ajustable)
Tensión de carga de "ecualización"	16,2 V / 32,4 V (ajustable)
Tensión de carga de "flotación"	13,8 V / 27,6 V (ajustable)
Algoritmo de carga	Variable multietapas
Compensación de temperatura	-16 mV / °C resp. -32 mV / °C
Corriente de carga continua	15A
Desconexión de carga por baja tensión	11,1 V / 22,2 V o 11,8 V / 23,6 V o algoritmo de BatteryLife
Reconexión de carga por baja tensión	13,1 V / 26,2 V o 14 V / 28 V o algoritmo de BatteryLife
Protección	Cortocircuito de salida Exceso de temperatura
Temperatura de funcionamiento	-30 a +60 °C (potencia nominal completa hasta los 40 °C)
Humedad relativa	100 %, sin condensación
Altura máxima de trabajo	5.000 m (potencia nominal completa hasta los 2.000 m)
Condiciones ambientales	Para interiores tipo 1, no acondicionados
Grado de contaminación	PD3
Puerto de comunicación de datos	Puerto VE.Direct Consulte el libro blanco sobre comunicación de datos en nuestro sitio web
CARCASA	
Color	Azul (RAL 5012)
Terminales de conexión	6 mm ² / AWG10
Tipo de protección	IP43 (componentes electrónicos) IP 22 (área de conexiones)
Peso	0,6 kg
Dimensiones (al x an x p)	100 x 113 x 50mm.
ESTÁNDARES	
Seguridad	EN/IEC 62109-1, UL 1741, CSA C22.2
<p>1a) Si hubiese exceso de potencia PV, el controlador limitará la entrada de potencia. 1b) La tensión PV debe exceder en 5V la Vbat (tensión de la batería) para que arranque el controlador. Una vez arrancado, la tensión PV mín. es Vbat + 1V 2) Una corriente de cortocircuito más alta podría dañar el controlador en caso de polaridad inversa de los paneles FV.</p>	

EN

NL

FR

DE

ES

SE

IT

Appendix

Controlador de carga BlueSolar	MPPT 100/20-48 V
Tensión de la batería	AutoSelect 12 / 24 / 48 V
Corriente máxima de la batería	20 A
Potencia FV nominal, 48 V 1a,b)	1160 W (290 W / 580 W / 870 W)
Máxima corriente de corto circuito FV 2)	20 A
Desconexión automática de la carga	Sí, carga máxima 20 A (12/24 V) & 0,1 A (36/48 V)
Tensión máxima del circuito abierto FV	100 V
Eficiencia máxima	98 %
Autoconsumo	25 / 15 / 15 mA
Tensión de carga de "absorción"	14,4 V / 28,8 V / 43,2 V / 57,6 V (ajustable)
Tensión de carga de "ecualización"	16,2 V / 32,4 V / 48,6 V / 64,8 V (ajustable)
Tensión de carga de "flotación"	13,8 V / 27,6 V / 41,4 V / 55,2 V (ajustable)
Algoritmo de carga	Variable multietapas o algoritmo definida por el usuario
Compensación de temperatura	-16 mV/ °C / -32 mV/ °C / -48 mV/ °C / -64 mV/ °C
Corriente de carga continua (12 V / 24 V)	20A
Corriente de carga continua (48 V)	1A
Desconexión de carga por baja tensión	11,1 / 22,2 / 33,3 / 44,4 V o 11,8 / 23,6 / 35,4 / 47,2 V o algoritmo de BatteryLife
Reconexión de carga por baja tensión	13,1 / 26,2 / 39,3 / 52,4 V o 14 / 28 / 42 / 56 V o algoritmo de BatteryLife
Protección	Corto circuito de salida / sobrecalentamiento
Temperatura de trabajo	De -30 a +60 °C (potencia nominal completa hasta los 40 °C)
Humedad	100 %, sin condensación
Altura máxima de trabajo	5.000 m (fpotencia nominal completa hasta los 2.000 m)
Condiciones ambientales	Para interiores tipo 1, no acondicionados
Grado de contaminación	PD3
Puerto de comunicación de datos	VE.Direct Consulte el libro blanco sobre comunicación de datos en nuestro sitio web
CARCASA	
Color	Azul (RAL 5012)
Terminales de conexión	6mm ² / AWG10
Grado de protección	IP43 (componentes electrónicos) IP22 (área de conexiones)
Peso	0,65 kg
Dimensiones (al x an x p)	100 x 113 x 60 mm
NORMAS	
Seguridad	EN/IEC 62109-1, UL 1741, CSA C22.2
<p>1a) Si se conecta más potencia FV, el controlador limitará la entrada de potencia. 1b) La tensión FV debe exceder Vbat + 5V para que arranque el controlador. Una vez arrancado, la tensión FV mínima será de Vbat + 1V.</p> <p>2) Una corriente de cortocircuito más alta podría dañar el controlador en caso de polaridad inversa de los paneles FV.</p>	

1 Allmän beskrivning

1.1 Ultrasnabb MPPT

Speciellt när det är molnigt, när ljusets intensitet ändras hela tiden, kan en snabb MPPT-algoritm förbättra energiutnyttjandet med upp till 30 % jämfört med PWM-laddningsregulatorer och med upp till 10 % jämfört med långsammare MPPT-kontrolldon.

1.2 VE.Direct

För en ansluten dataförbindelse till en Color Control-panel, PC eller andra enheter.

1.3 Belastningsutgång

För djup urladdning av batteriet kan förhindras genom att ansluta alla belastningar till belastningsutgången. Belastningsutgången kopplar ifrån belastningen när batteriet har laddats ur till en förinställd spänning.

Alternativt kan en intelligent batterihanteringsalgoritm väljas: se BatteryLife

Belastningsutgången är kortslutningsskyddad.

Vissa belastningar (särskilt växelriktare) ansluts bäst direkt till batteriet och växelriktarens fjärrkontroll ansluts till belastningsutgången. Det kan behövas en särskild gränssnittskabel, vänligen se avsnitt 3.6.

1.4 BatteryLife: intelligent batterihantering

När en solcellsaddningsregulator inte kan ladda batteriet fullt under en dag blir resultatet ofta att batteriet hela tiden går från "delvis laddat" till "urladdat". Det här driftläget (ingen regelbunden full uppladdning) kan förstöra ett blysyrebatteri på några veckor eller månader.

Batterilivslängdsalgoritmen kommer att övervaka laddningstillståndet hos batteriet, och vid behov, dag efter dag lätt öka lastfrånkopplingsnivån (dvs. koppla ifrån belastningen tidigare) tills energiupptagningen är tillräcklig för att på nytt ladda batteriet till nästan 100 %. Från den tidpunkten och framåt kommer lastfrånkopplingsnivån att moduleras så att nästan 100 % laddning uppnås ungefär en gång i veckan.

1.5 Trestegsladdning

Regulatorn är utformad för en laddningsprocess i tre steg: Bulk – Absorption - Float.

Se avsnitt 3.8 och avsnitt 5 för standardinställningar.

Se avsnitt 1.8 för användardefinierade inställningar

1.5.1. Bulk

I den här fasen levererar regulatorn så mycket spänning som möjligt för att snabbt ladda batterierna. När batterispänningen uppnår inställningen för absorptionsspänning aktiverar regulatorn nästa fas (absorption).

1.5.2. Absorption

I den här fasen växlar regulatorn till konstant spänning, där absorptionsspänningen tillämpas för batteriet. När laddningsströmmen minskar till inställningen för floatövergång är batteriet fulladdat och regulatorn övergår till floatfasen.

1.5.3. Float

I detta skede appliceras floatspänningen på batteriet för att hålla det fulladdat.

1.5.4. Utjämning

Se avsnitt 3.9

EN

NL

FR

DE

ES

SE

IT

Appendix

1.6 Invändig temperatursensor

Kompenserar absorption och floatladdningar för temperaturförändringar.

1.7 Valfri extern spännings- och temperaturgivare (intervall - 20 °C till 50 °C)

Smart Battery Sense är en trådlös batterispännings- och temperaturgivare för Victron MPPT solladdare. Solladdaren använder dessa mätningar för att optimera sina laddningsparametrar. Noggrannheten i de data som överförs kommer att förbättra batteriets laddningseffektivitet och förlänga batteriets livslängd (VE.Direct Bluetooth Smart-dongel krävs).

Alternativt kan **Bluetooth-kommunikation** ställas in mellan en **BMV-712-batteriövervakare** med batteritemperaturgivaren och solladdningsregulatorn

(VE.Direct Bluetooth Smart-dongel krävs). För mer information ange *smart nätverk* i sökrutan på vår webbplats.

1.8 Automatisk igenkänning av batterispänning

Regulatorn ställer automatiskt in sig själv för ett 12 eller 24 V-system, **en gång**.

Om en annan systemspänning krävs vid ett senare tillfälle måste detta ändras manuellt, till exempel med Bluetooth-appen, se avsnitt 3.8.

1.9 Konfiguration och övervakning

Konfigurera solladdarens kontroller med VictronConnect-appen. Finns för iOS- och Android-enheter samt macOS- och Windows-datorer. Ett tillbehör kan behövas. Ange victronconnect i sökrutan på vår webbplats och se nedladdningssidan för VictronConnect för detaljer.

För enkel övervakning använd MPPT-kontrollen; en panelmonterad enkel men effektiv display som visar alla driftsparametrar. Full systemövervakning inklusive loggning till vår onlineportal, VRM, görs med GX-produktsortimentet



2. VIKTIGA SÄKERHETSFÖRESKRIFTER

SPARA FÖRESKRIFTERNA – Den här manualen innehåller viktiga föreskrifter som ska följas under installation och vid underhåll.



Fara för explosion på grund av gnistor

Risk för elektriska stötar

- Det rekommenderas att du läser den här manualen noggrant innan produkten installeras och tas i bruk.
- Produkten har utvecklats och testats i enlighet med internationella standarder. Utrustningen bör endast användas för sitt avsedda användningsområde.
- Installera produkten i en värmeskyddad miljö. Säkerställ därför att det inte finns några kemikalier, plastdelar, gardiner eller andra textilier, etc. i utrustningens omedelbara närhet.
- Produkten får inte monteras i områden där användare har åtkomst
- Säkerställ att utrustningen används under korrekta användningsförhållanden. Använd aldrig produkten i fuktiga miljöer.
- Använd inte produkten på platser där gas- eller dammexplosioner kan inträffa.
- Se till att det alltid finns tillräckligt med fritt utrymme runt produkten för en tillräcklig ventilering.
- Se tillverkarens instruktioner för batteriet för att säkerställa att batteriet passar för användning med denna produkt. Batteritillverkarens säkerhetsinstruktioner ska alltid följas.
- Skydda solmodulerna från oavsiktligt ljus under installation, t.ex. genom att täcka över dem.
- Vidrör inte oisolerade kabeländar.
- Använd endast isolerade verktyg.
- Anslutningar ska alltid göras i den ordning som beskrivs i avsnitt 3.5.
- Personen som installerar produkten måste tillhandahålla kabeldragavlastning för att förhindra överbelastning av anslutningarna.
- Utöver denna manual måste systemdriften eller servicemanualen innehålla en manual för underhåll av den batterityp som används.

EN

NL

FR

DE

ES

SE

IT

Appendix

3. Installation

VARNING: DC-INGÅNGEN (SOLCELL) ÄR INTE ISOLERAD FRÅN BATTERIKRETSEN

VIKTIGT! OMGIVNINGEN KRING BATTERIET OCH LADDAREN FÅR INTE SKILJA SIG MER ÄN 5 °C FÖR ATT TEMPERATURKOMPENSATIONEN SKA FUNGERA KORREKT, OMGIVNINGEN KRING BATTERIET OCH LADDAREN FÅR INTE SKILJA SIG MER ÄN 5 °C

3.1. Allmänt

- Montera vertikalt på ett icke-lättandligt substrat, med kraftterminalerna nedåt. Säkerställ en fri yta på minst 10 cm både under och över produkten för optimal nedkyllning.
 - Montera nära batteriet, men aldrig direkt ovanför batteriet (för att förhindra skada på grund av gasning av batteriet).
 - Felaktig intern temperaturkompensation (t.ex. om omgivningen kring batteriet och laddaren skiljer sig mer än 5 °C), kan leda till att batteriets livslängd förkortas.
- Vi rekommenderar att du använder ett batteri med direkt spänningsavkänningskälla (BMV, Smart Battery Sense eller GX-enhet med delad spänningsavkänning) om större temperaturskillnader eller extrema omgivningstemperaturförhållanden förväntas.**
- Batteriinstallationen måste utföras enligt reglerna om förvaringsbatterier i de kanadensiska elföreskrifterna [Canadian Electrical Code], del I.
 - Batteriet och solcellsanslutningar måste skyddas mot oavsiktlig kontakt (t.ex. installera i ett hölje eller installera kabellådan WireBox S som finns som tillval).

3.2 Jordning

- **Batterijordning:** laddaren kan installeras i ett positivt eller negativt jordat system.
Obs: använd bara en jordad anslutning (helst nära batteriet) för att förhindra en felaktig funktion av systemet.
- **Chassijordning:** En separat jordad väg är tillåten för chassijorden eftersom den är isolerad från den positiva och negativa terminalen.
- Enligt NEC (USA:s nationella elföreskrifter) måste man använda ett externt jordfelskydd (GFPD). Victron MPPT-laddare har inget internt jordfelskydd. Systemets elektriska negativa pol ska bindas till jorden genom ett jordfelskydd på en (och endast en) plats.
- Laddaren får inte anslutas till jordade solcellspaneler.
- Plus- och minus på solcellspanelen ska inte vara jordade. Jorda ramen på solcellspanelerna för att minska påverkan av blixten.

VARNING: OM ETT JORDFEL VISAS KAN DET INNEBÄRA ATT BATTERITERMINALERNA OCH ANSLUTNA KRETSAR ÄR OJORDADE OCH FARLIGA.

3.3 Solcellskonfiguration (se även MPPT-Excelbladet på vår webbsida)

- Se till att det är möjligt att koppla bort alla strömförande ledare i en solcellskälla från alla andra ledare i en byggnad eller annan struktur.
- En switch, kretsbytare eller någon annan anordning, antingen ac eller dc, ska inte installeras i en jordad ledare om användning av den switchen, kretsbytaren eller andra anordningen lämnar den markerade jordade ledaren i ett ojordat och strömförande läge. Regulatorn fungerar endast om solcellsspänningen överskrider batterispänningen (Vbat).
- PV-spänningen måste överstiga Vbat + 5 V för regulatorn för att starta. Därefter är den lägsta PV-spänningen Vbat + 1 V

- Maximal solcellsspänning i tomgång: 75 V respektive 100 V.

Till exempel:

12 V-batteri och mono- eller polykristallina paneler anslutna till en 75 V-regulator.

- Minimum antal celler i serie: 36 (12 V-panel).
- Rekommenderat antal celler för att få bästa reguletoeffekt: 72 (2x 12 V-paneler i serie eller 1x 24 V-panel).
- Maximum: 108 celler (3x 12 V-paneler i serie).

24 V-batteri och mono- eller polykristallina paneler anslutna till en 100 V-regulator.

- Minimum antal celler i serie: 72 (2x 12 V-paneler i serie eller 1x 24 V-panel).
- Maximum: 144 celler (4x 12 V-paneler i serie).

Obs: vid låga temperaturer kan tomgångsspänningen i en 108 solcellspanel överstiga 75 V och tomgångsspänningen på en 144 cellspanel överstiga 100 V beroende på lokala förhållanden och cellspecifikationer. Då måste antalet celler i serien reduceras.

3.4 Kabelanslutningssekvens (se figur 3)

Ett: Anslut kablarna till belastningen men se till att alla belastningar är avstängda.

Två: Anslut batteriet (detta gör det möjligt för regulatorn att registrera systemspänningen).

Tre: Anslut solcellspanelen (om den ansluts med omvänd polaritet kommer regulatorn att värmas upp men inte att ladda batteriet).

Vridmoment: 0,75 Nm

Systemet är nu klart att användas.

3.5. Konfiguration av regulatorn

VE.Direct-kommunikationsporten (se avsnitt 1.9) kan användas för att konfigurera regulatorn. (Dongle krävs vid användning av Bluetooth-app)

3.6 Belastningsutgången (se bild 1 och 2 i slutet av denna manual).

VE.Direct-kommunikationsporten (se avsnitt 1.8) kan användas för att konfigurera belastningsutgången: (Dongle krävs vid användning av Bluetooth-app)

Alternativt kan en brygga användas för att konfigurera belastningsutgången enligt följande:

- **Ingen bygel:** BatteryLife-algoritm (se 1.4)
- Bygel mellan stift 1 och stift 2: vanlig
Bortkoppling vid låg spänning 11,1 V eller 22,2 V
Automatisk återkoppling av belastning: 13,1 V eller 26,2 V
- Bygel mellan stift 2 och stift 3: vanlig
Bortkoppling vid låg spänning 11,8 V eller 23,6 V
Automatisk återkoppling av belastning: 14 V eller 28 V

Det är bättre att ansluta vissa belastningar med hög inkopplingsström direkt till batteriet. Om enheten är utrustad med en fjärrstyrd av-och-på-ingång kan dessa belastningar styras genom att ansluta regulatorns belastningsutgång till den här fjärrstyrda av-och-på-ingången. Det kan behövas en särskild gränssnittskabel. Alternativt kan en BatteryProtect användas för att kontrollera belastningen. Se vår hemsida för specifikationer.

Lågeffektsriktare, som **Phoenix VE.Direct**-växelriktare upp till 375 VA, kan förses med ström direkt via belastningsutgången, men den maximala utgångseffekten begränsas då av strömgränsen för belastningsutgången.

Phoenix VE.Direct-växelriktare kan även styras genom att ansluta kontakten på vänster sida av fjärrkontrollen till belastningsutgången.

Bryggan mellan höger och vänster sida på fjärrkontrollen måste tas bort.

Victrons växelriktare av modell Phoenix 12/800, 24/800, 12/1200 och 24/1200 kan styras genom att ansluta kontakten på höger sida av fjärrkontrollen direkt till belastningsutgången (se bild 4 i slutet av denna manual)

Victrons växelriktare av modell Phoenix 12/180, 24/180, 12/350, 24/350, Phoenix Inverter Compact-modeller och MultiPlus Compact-modeller behövs en gränssnittskabel: en på/av-kabel för växelriktare, artikelnummer ASS030550100, se bild 5 i slutet av denna manual

3.7 Lysdioder

Grön LED: visar vilken algoritm för kontroll av belastningsutgången som har valts.

På: en av de två vedertagna algoritmerna för kontroll av belastningsutgången (se Fig. 2)

Blinkar: BatteryLife-algoritm för kontroll av belastningsutgången (se Fig. 2)

Gul LED: signalerar laddningssekvens

Av: ingen ström från solcellspanel (eller så är panelen ansluten med omvänd polaritet)

Blinkar snabbt: bulkkladdning (batteri i delvis laddat tillstånd)

Blinkar långsamt: absorptionsladdning (batteri laddat till 80 % eller mer)

På: floatladdning (batteri helt laddat)

Se Victrons Toolkit-app för den senaste och mest uppdaterade informationen om blinkkoderna. Klicka på eller skanna QR-koden för att komma till sidan för Victron Support och nedladdningar/programvara.



3.8 Information om batteriladdning

Laddningsregulatorn startar en ny laddningscykel varje morgon när solen börjar lysa.

Blybatterier: standardmetod för att bestämma längden och slutet på absorptionen
MPPT:s laddningsalgoritm beteende skiljer sig från AC-anslutna batteriladdare. Läs detta avsnitt i manualen noggrant för att förstå MPPT-beteende och följ alltid rekommendationer från batteriets tillverkare.

Som standard bestäms absorptionstiden på tomgångsbatteriets spänning vid början av varje dag baserat på följande tabell:

Batterispänning V_b (@ uppstart)	Multiplikator	Maximal absorptionstid
$V_b < 11,9 \text{ V}$	x 1	6 t
$11,9 \text{ V} < V_b < 12,2 \text{ V}$	x 2/3	4 t
$12,2 \text{ V} < V_b < 12,6 \text{ V}$	x 1/3	2 t
$V_b > 12,6 \text{ V}$	x 1/6	1 t

(12 V-värden, justera för 24 V)

Standardabsorptionsspänning: 14,4 V

Standard flytspänning: 13,8 V

Absorptionstidsräknaren startar vid byte från bulk till absorption har skett.

MPPT-solladdaren kommer också att avsluta absorptionen och byta till flyt när batteriströmmen sjunker under ett lågt strömgränsvärde, "svansström".

Standardvärdet för svansström är 1 A.

För modeller med en lastutgång används strömmen på batteriterpolerna och för de större modellerna används strömmen på utgångarna.

Standardinställningarna (spänningar, absorptionsmultiplikator och svansström) kan ändras med Victronconnect-appen via Bluetooth (VE.Direct Bluetooth Smart-dongel krävs) eller via VE.Direct.

Det finns två undantag från normal drift:

1. När den används i ett ESS-system; solladdningsalgoritmen avaktiverad och istället följer den kurvan på mandat av växelriktaren/laddaren.

2. För CAN-buss-litiumbatterier såsom BYD berättar batteriet för systemet, inklusive solladdaren, vilken laddspänning som ska användas. Denna laddningsspänningsgräns (CVL) är för vissa batterier även dynamisk och förändras över tiden baserat på exempelvis maximal cellspänning i paketet och andra parametrar.

Variationer till förväntat beteende

1. Pausa absorptionsräknaren

Absorptionstidsräknaren startar när den konfigurerade absorptionsspänningen uppnås och pausar när utgångsspänningen är lägre än den konfigurerade absorptionsspänningen.

Ett exempel på när detta spänningsfall kan inträffa är när PV-effekten (på grund av moln, träd och broar) är otillräcklig för att ladda batteriet och att driva lasterna.

När absorptionstimern är pausad blinkar absorptions-LED-lampan mycket långsamt.

2. Starta om laddningsprocessen

Laddningsalgoritmen återställs om laddningen har slutat i en timme. Detta kan uppstå när PV-spänningen sjunker under batterispänningen på grund av dåligt väder, skugga eller liknande.

3. Batteriet laddas eller laddas ur innan solladdningen börjar

Den automatiska absorptionstiden baseras på startbatteriets spänning (se tabell). Denna uppskattning av absorptionstid kan vara felaktig om det finns en extra laddningskälla (t.ex. växelströmsgenerator) eller last på batterierna.

Detta är ett naturligt problem i standardalgoritmen. Men i de flesta fall är det fortfarande bättre än en fast absorptionstid oavsett andra laddningskällor eller batteritillstånd.

Det är möjligt att åsidosätta standardabsorptionsalgoritmen genom att ställa in en fast absorptionstid vid programmering av kontrollern för solladdaren. Var medveten om att detta kan resultera i överladdning av batterierna. Rådgör med batteritillverkaren för rekommenderade inställningar.

4. Absorptionstid bestäms av svansströmmen

I vissa tillämpningar kan det vara att föredra att avbryta absorptionstiden endast baserat på svansström. Detta kan uppnås genom att öka standardinställningen för absorptionsmultiplikatorn.

(varning: svansströmmen för blybatterier minskar inte till noll när batterierna är fulladdade och denna "återstående" svansström kan öka väsentligt när batterierna åldras)

Standardinställning, LiFePO4-batterier

LiFePO4-batterier behöver inte laddas helt för att förhindra för tidigt fel.

Standardinställningen för absorptionsspänning är 14,2 V (28,4 V).

Och standardinställningen för absorptionstiden är 2 timmar.

Standardinställningen för flytspänning: 13,2 V (26,4 V).

Dessa inställningar är justerbara.

Återställ laddningsalgoritmen:

Standardinställningen för att starta om laddningscykeln är $V_{batt} < (V_{float} - 0,4 \text{ V})$ för blysyra och $V_{batt} < (V_{float} - 0,1 \text{ V})$ för LiFePO4-batterier under 1 minut.

(värden för 12 V-batterier, multiplicera med två för 24 V)

3.9 Automatisk utjämning

Automatisk utjämning är som standard inställd på 'AV'. Med Victron Connect-appen (se avsnitt 1.9) kan denna inställning konfigureras med ett nummer mellan 1 (varje dag) och 250 (en gång var 250:e dag).

När automatisk utjämning är aktiv följs absorptionsladdningen av en spänningsbegränsad konstant strömperiod. Strömmen är begränsad till 8 % eller 25 % av bulkströmmen. Bulkströmmen är den nominella laddströmmen såvida inte en lägre maximal ströminställning har valts.

När en inställning med 8 % strömgräns används slutar den automatiska utjämningen när spänningsgränsen har uppnåtts, eller efter en timme, beroende på vad som kommer först. Andra inställningar: automatisk utjämning slutar efter fyra timmar.

När automatisk utjämning inte är helt klar inom en dag kommer den inte att återupptas nästa dag. Nästa utjämnings-session kommer att äga rum enligt dagintervallet.

3.10 VE.Direct kommunikationsport

Se avsnitt 1.9 och 3.5.

4. Felsökning

Problem	Möjlig orsak	Lösning
Laddaren fungerar inte	Inverterad PV-anslutning	Anslut PV korrekt
	Ingen säkring isatt	Sätt i en säkring på 20 A
Trasig säkring	Omvänd batterianslutning	1. Anslut batteriet korrekt 2. Byt säkring
Batteriet är inte fulladdat	Dålig batterianslutning	Kontrollera batterianslutningen
	Kabelförlusten för hög	Använd kablar med ett större tvärsnitt
	Stor temperaturskillnad mellan laddare och batteri ($T_{\text{miljö_laddare}} > T_{\text{miljö_batt}}$)	Kontrollera att miljöförhållanden är desamma för laddare och batteri
	<i>Endast för 24 V-system: fel systemspänning vald (12 V istället för 24 V) av laddningsregulatorn</i>	Ställ manuellt in regulatorn till den systemspänning som krävs (se avsnitt 1.8)
Batteriet är överladdat	En battericell är defekt	Byt ut batteriet
	Stor temperaturskillnad mellan laddare och batteri ($T_{\text{miljö_laddare}} < T_{\text{miljö_batt}}$)	Kontrollera att miljöförhållanden är desamma för laddare och batteri
Strömutförelsen blir inte aktiv	Maxström överstigs	Kontrollera att utströmmen inte överstiger 15 A
	DC-ström i kombination med kapacitetsbelastning (t.ex. växelriktare) tillämpas	Kolla ur DC-strömmen under start av kapacitetsbelastningen Koppla ur likströmmen under start av kapacitetsbelastningen. Koppla ur växelströmmen ur omvandlaren eller anslut omvandlaren så som beskrivs i avsnitt 3.6.
	Kortslutning	Kontrollera om det är kortslutning i anslutningen

EN

NL

FR

DE

ES

SE

IT

Appendix

5. Specifikationer, 75 V-modeller

BlueSolar Laddningsregulator	MPPT 75/10	MPPT 75/15
Batterispänning	12/24V Autoval	
Maximal batteriström	10A	15A
Nominell PV effekt, 12V 1a,b)	145W	220W
Nominell PV effekt, 24V 1a,b)	290W	440W
Max. PV kortslutningsström 2)	13A	15A
Frånkoppling automatisk last	Ja, maximum last 15A	
Maximal PV-tomgångsspänning	75V absolute maximum coldest conditions 74V start-up and operating maximum	
Max. verkningsgrad	98%	
Självkonsumtion	12V: 20 mA 24V: 10 mA	
Laddningsspänning 'absorption'	14,4V / 28,8V justerbar)	
"Utjämning" av laddningsspänning 3)	16,2V / 32,4V (inställbar)	
Laddningsspänning 'float'	13,8V / 27,6V justerbar)	
Laddningsalgoritm	Anpassningsbar i flera steg eller en användardefinierad algoritm	
Temperaturkompensation	-16 mV / °C resp. -32 mV / °C	
Kontinuerlig belastningsström	15A	
Frånkoppling lågspänningslast	11,1V/22,2V eller 11,8V/23,6V eller algoritm för batteritid	
Återkoppling lågspänningslast	13,1V/26,2V eller 14V/28V eller algoritm för batteritid	
Skydd	Utmatningskortslutning För hög temperatur	
Drifttemperatur	-30 till +60°C (full märkeffekt upp till 40°C)	
Luftfuktighet	100% icke-kondenserande	
Maxhöjd	5000 m (fullskalig utmatning upp till 2000 m)	
Driftsmiljö	Inomhus Typ 1, obetingat	
Föroreningsgrad	PD3	
Datakommunikationsport	VE.Direct Hänvisning till vitbok för datakommunikation på vår webb-plats.	
HÖLJE		
Färg	Blue (RAL 5012)	
Kraftterminaler	6 mm ² / AWG10	
Skyddsklass	IP43 (elektroniska komponenter) IP 22 (anslutningsarea)	
Vikt	0,5kg	
Mått (h x b x d)	100 × 113 × 40mm	
STANDARDER		
Säkerhet	EN/IEC 62109-1 / UL 1741 / CSA C22.2 NO.107.1-16	
1a) Om mer solcellseffekt ansluts kommer regulatort att begränsa ingångseffekten.		
1b) Solcellsspänningen måste överskrida V _{bat} +5 V för att regulatort ska kunna startas. Därefter är minimal solcellsspänning V _{bat} + 1 V.		
2) En högre kortslutningsström kan skada regulatort om solcellspanelen ansluts med omvänd polaritet.		
3) Standardinställning: AV		

Specifikationer, 100 V-modeller

BlueSolar Laddningsregulator	MPPT 100/15
Batterispänning	12/24V Autoval
Maximal batteriström	15A
Nominell PV effekt, 12V 1a,b)	220W
Nominell PV effekt, 24V 1a,b)	440W
Max. PV kortslutningsström 2)	15A
Frånkoppling automatisk last	Ja, maximum last 15 A resp. 20 A
Maximal PV-tomgångsspänning	100V
Max. verkningsgrad	98%
Självkonsumtion	12V: 20 mA 24V: 10 mA
Laddningsspänning 'absorption'	14,4V / 28,8V (inställbar)
"Utjämning" av laddningsspänning	16,2V / 32,4V (inställbar)
Laddningsspänning 'float'	13,8V / 27,6V (inställbar)
laddningsalgoritm	Anpassningsbar i flera steg eller en användarinställd algoritm
Temperaturkompensation	-16 mV / °C resp. -32 mV / °C
Kontinuerlig belastningsström	15A
Frånkoppling lågspänningslast	11,1V/22,2V eller 11,8V/23,6V eller algoritm för batteritid
Återkoppling lågspänningslast	13,1V/26,2V eller 14V/28V eller algoritm för batteritid
Skydd	Utmatningskortslutning För hög temperatur
Driftstemperatur	-30 till +60°C (full märkeffekt upp till 40°C)
Luffuktighet	100% icke-kondenserande
Maxhöjd	5000 m (fullskalig utmatning upp till 2000 m)
Driftsmiljö	Inomhus Typ 1, obetingat
Föroreningsgrad	PD3
Datakommunikationsport	VE.Direct Hänvisning till vitbok för datakommunikation på vår webb-plats.
HÖLJE	
Färg	Blue (RAL 5012)
Kraftterminaler	6 mm ² / AWG10
Skyddsklass	IP43 (elektroniska komponenter) IP 22 (anslutningsarea)
Vikt	0,6kg
Mått (h x b x d)	100 x 113 x 50 mm
STANDARDER	
Säkerhet	EN/IEC 62109-1, UL 1741, CSA C22.2
1a) Om mer solcellseffekt ansluts kommer regulatorn att begränsa ingångseffekten	
1b) Solcellsspänningen måste överskrida Vbat +5 V för att regulatorn ska kunna startas. Därefter är minimal solcellsspänning Vbat + 1 V.	
2) En högre kortslutningsström kan skada regulatorn om solcellspanelen ansluts med omvänd polaritet.	

EN

NL

FR

DE

ES

SE

IT

Appendix

BlueSolar laddningsregulator	MPPT 100/20-48V
Batterispänning	12 / 24 / 48V Autoval
Maximal batteriström	20A
Nominell solcellseffekt, 48 V 1a,b)	1160 W (290W / 580W / 870W)
Maximal solcellskortslutningsström 2)	20A
Automatisk bortkoppling av belastning	Ja, maximum last 20A (12/24V) & 0,1A(36/48V)
Maximal solcellstomgångsspänning	100V
Toppeffekt	98%
Egenkonsumtion	25 / 15 / 15 mA
Laddningsspänning "absorption"	14,4V / 28,8V / 43,2V / 57,6V (inställbar)
Laddningsspänning i "utjämning"	16,2V / 32,4V / 48,6V / 64,8V (inställbar)
Laddningsspänning "float"	13,8V / 27,6V / 41,4V / 55,2V (inställbar)
Laddningsalgoritm	Anpassningsbar i flera steg eller en användarinställd algoritm
Temperaturkompensation	-16mV/ °C / -32mV/ °C / -48mV/ °C / -64mV/ °C
Kontinuerlig belastningsström (12/24)	20A
Kontinuerlig belastningsström (48)	1A
Frånkoppling lågspänningsbelastning	11,1 / 22,2 / 33,3 / 44,4V eller 11,8 / 23,6 / 35,4 / 47,2V eller algoritm för batteritid
Återkoppling lågspänningsbelastning	13,1 / 26,2 / 39,3 / 52,4V eller 14 / 28 / 42 / 56V eller algoritm för batteritid
Skydd	Kortslutning utgång/ Övertemperatur
Driftstemperatur	-30 till +60 °C (full märkeffekt upp till 40 °C)
Luftfuktighet	100 % icke-kondenserande
Maximal driftshöjd	5000 m (full märkeffekt upp till 2000 m)
Driftsmiljö	Inomhus typ 1 icke-ventilerad
Föroreningsgrad	PD3
Datakommunikationsport	VE.Direct Hänvisning till vitbok för datakommunikation på vår webb-plats.
HÖLJE	
Färg	Blå RAL 5012
Terminaler	6mm ² / AWG10
Skyddsklass	IP43 (elektroniska komponenter) IP22 (anslutningsområde)
Vikt	0,65 kg
Dimensioner (h x b x d)	100 x 113 x 60 mm
STANDARDER	
Säkerhet	EN/IEC 62109-1, UL 1741, CSA C22.2
1a) Om mer solcellseffekt ansluts kommer regulatorn att begränsa ingångseffekten	
1b) Solcellsspänningen måste överskrida Vbat +5 V för att regulatorn ska kunna startas.	
Därefter är minimal solcellsspänning Vbat + 1 V.	

1 Descrizione generale

1.1 Rilevamento MPPT ultra veloce

Specialmente in caso di cielo nuvoloso, quando l'intensità della luce cambia continuamente, un algoritmo MPPT veloce consentirà di potenziare la raccolta di energia fino al 30 % in più rispetto ai regolatori di carica PWM e fino al 10 % in più rispetto ai dispositivi di controllo MPPT più lenti.

1.2 VE.Direct

Per la connessione tramite cavo al pannello Color Control, al PC o a altri dispositivi

1.3 Uscita carichi

È possibile evitare la scarica profonda della batteria collegando tutti i carichi all'uscita del carico. L'uscita del carico scollegherà il carico quando la batteria si sia scaricata fino a una tensione predefinita.

In alternativa, si può scegliere un algoritmo di gestione intelligente della batteria: vedere Battery Life.

L'uscita del carico è protetta contro cortocircuito.

Alcuni carichi (soprattutto gli inverter) possono essere collegati in modo ottimale direttamente alla batteria, mentre il controllo a distanza dell'inverter si può collegare all'uscita del carico. Potrebbe servire uno speciale cavo interfaccia, vedere sezione 3.6.

1.4 Battery Life: gestione intelligente della batteria

Quando un regolatore di carica solare non è in grado di ricaricare la batteria per tutta la sua capacità nell'arco di un giorno, spesso accade che la batteria passa continuamente dallo stato di 'parzialmente carica' a quello di 'fine scarica'. Questa modalità di funzionamento (assenza di una regolare ricarica completa) può distruggere le batterie al piombo acido nel giro di settimane o mesi.

L'algoritmo BatteryLife tiene sotto controllo lo stato di carica della batteria e, se necessario, aumenta giorno per giorno la soglia di scollegamento del carico (cioè scollega il carico in anticipo) fino a quando l'energia solare raccolta non sia sufficiente a ricaricare la batteria quasi al 100 % pieno. Da questo momento in poi, la soglia di scollegamento del carico verrà modulata in modo da raggiungere la ricarica completa circa una volta a settimana.

1.5 Tre fasi di carica

Il regolatore di carica è configurato per un processo di carica a tre fasi: Caricamento - Assorbimento - Mantenimento.

Per le impostazioni predefinite, vedere la sezione 3.8 e la sezione 5.

Per le impostazioni definite dall'utente, vedere la sezione 1.8.

1.5.1. Prima fase

Durante questa fase il regolatore invia quanta più corrente di carica possibile per ricaricare rapidamente le batterie.

1.5.2. Assorbimento

Quando la tensione della batteria raggiunge il valore della tensione di assorbimento, il regolatore passa alla modalità di tensione costante.

In caso di scarica della batteria di ridotta entità, la durata della fase di assorbimento viene limitata al fine di evitare il sovraccarico della batteria. Dopo una scarica profonda, invece, il tempo di assorbimento viene prolungato automaticamente al fine di caricare completamente la batteria.

Inoltre, la fase di assorbimento termina anche quando la corrente di carica diminuisce a meno di 1 A.

1.5.3. Mantenimento

Durante questa fase, alla batteria è applicata una tensione di mantenimento per conservare uno stato di carica completa.

1.5.4. Compensazione
Vedere paragrafo 3.9

1.6 Sensore di temperatura interno

Compensa le tensioni di carica di assorbimento e di mantenimento in base alla temperatura (intervallo da 6°C a 40°C)

1.7 Sensore di tensione e temperatura esterno opzionale (intervallo da -20°C a 50°C)

Il **Rilevatore Smart Battery** è un sensore wireless di tensione e temperatura della batteria per i Caricatori Solari Victron MPPT. Il Caricatore Solare utilizza queste rilevazioni per ottimizzare i suoi parametri di carica. La precisione dei dati che trasmette migliora l'efficienza di ricarica della batteria e allunga la vita utile della stessa (è necessaria una chiave elettronica dongle VE.Direct Bluetooth Smart).

In alternativa, si può configurare la **Comunicazione Bluetooth** tra il **Monitor della batteria BMV-712** con sensore di temperatura della batteria e il regolatore di carica fotovoltaico

(è necessaria una chiave elettronica dongle VE.Direct Bluetooth Smart). Per ulteriori dettagli, digitare *rete smart* nel quadro di ricerca del nostro sito web.

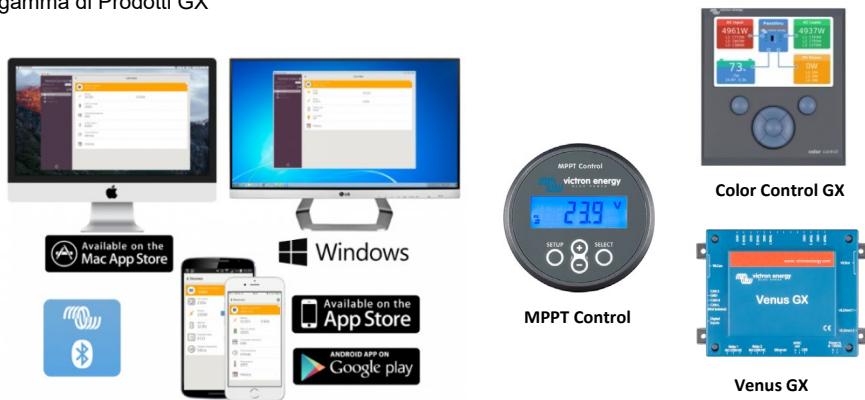
1.8 Riconoscimento automatico della tensione della batteria

Il regolatore si adatterà automaticamente al sistema a 12 V o 24 V **solo una volta**. Se, in un secondo momento, è richiesta una tensione di sistema diversa, la si deve cambiare manualmente, ad esempio tramite la app Bluetooth, vedere sezione 3.8.

1.9 Configurazione e monitoraggio

Configurare il regolatore di carica fotovoltaico mediante la app VictronConnect. È compatibile con dispositivi iOS e Android, nonché con computer macOS e Windows. Potrebbe essere necessario un accessorio: digitare *victronconnect* nel riquadro di ricerca del nostro sito web e vedere la pagina di download di VictronConnect per i dettagli.

Per il solo monitoraggio, utilizzare il Regolatore MPPT: un semplice ma efficiente display montato su un pannello mostrerà tutti i parametri operativi. Il completo monitoraggio del sistema, compresa la registrazione nel nostro portale online VRM, si esegue tramite la gamma di Prodotti GX



2. ISTRUZIONI DI SICUREZZA IMPORTANTI

CONSERVARE QUESTE ISTRUZIONI - Questo manuale contiene importanti istruzioni, da seguire durante l'installazione e la manutenzione.



Pericolo di esplosione a causa di scintille

Pericolo di scossa elettrica

- Si prega di leggere attentamente questo manuale prima di installare e di mettere in funzione il prodotto.
- Il presente prodotto è progettato e testato in conformità alle normative internazionali. Le apparecchiature devono essere usate esclusivamente per l'utilizzo previsto.
- Installare il prodotto in ambienti resistenti alle temperature elevate. Accertarsi, pertanto, che non vi siano sostanze chimiche, elementi in plastica, tende o altri materiali tessili, ecc. nelle immediate vicinanze dell'apparecchio.
- Il prodotto non può essere montato in una zona accessibile per l'utente.
- Accertarsi che l'apparecchio venga utilizzato nelle corrette condizioni di esercizio. Non usare mai l'apparecchio in ambienti umidi.
- Non usare mai il prodotto in luoghi con rischio di esplosione di gas o polveri.
- Accertarsi che attorno al prodotto vi sia sempre uno spazio libero sufficiente per l'aerazione.
- Consultare le specifiche fornite dal produttore della batteria per accertarsi che la batteria possa essere usata con il presente prodotto. Attenersi sempre alle istruzioni di sicurezza fornite dal produttore della batteria.
- Durante l'installazione proteggere i moduli solari dalla luce incidente, ad es. coprendoli.
- Non toccare mai le estremità dei cavi non isolate.
- Usare esclusivamente utensili isolati.
- Le connessioni devono sempre essere effettuate secondo la sequenza descritta nella sezione 3.5.
- L'installatore del prodotto deve trovare una soluzione per ridurre la deformazione dei cavi e prevenire la trasmissione della sollecitazione ai collegamenti.
- Oltre a questo manuale, il manuale di funzionamento del sistema, o quello di servizio, deve includere un manuale per la manutenzione della batteria applicabile al tipo di batterie in uso.

3. Installazione

AVVERTENZA: INGRESSO IN CC (FV) NON ISOLATO DAL CIRCUITO DELLA BATTERIA

ATTENZIONE: PER UNA CORRETTA COMPENSAZIONE DELLA TEMPERATURA LE CONDIZIONI AMBIENTALI DEL CARICABATTERIE E DELLA BATTERIA DEVONO ESSERE INFERIORI AI 5 °C.

3.1. Generale

- Montare in verticale su un supporto non infiammabile, con i morsetti di alimentazione rivolti verso il basso. Per un raffreddamento ottimale, rispettare una distanza minima di 10 cm sopra e sotto il prodotto.
- Montare vicino alla batteria, ma mai direttamente sopra la batteria (al fine di evitare danni dovuti al surriscaldamento della stessa).
- Una compensazione della temperatura interna non corretta (ad es., condizioni ambientali del caricabatterie e della batteria non inferiori ai 5°C), potrebbe ridurre la durata di vita della batteria.

Raccomandiamo di utilizzare una sorgente diretta di rilevamento della tensione batteria (BMV, Rilevatore Smart Battery o sensore di tensione condiviso del dispositivo GX).

- L'installazione della batteria deve essere effettuata in conformità alle regole riguardanti gli accumulatori del Canadian Electrical Code (codice elettrico canadese), Parte I.
- I collegamenti della batteria e quelli del FV devono essere protetti da contatti involontari (ad es., installare una custodia o il WireBox S opzionale).

3.2 Messa a terra

- **Messa a terra della batteria:** il caricabatterie può essere installato in un sistema con polo positivo o negativo collegato a massa.
Nota: utilizzare un solo collegamento a terra (preferibilmente, vicino alla batteria) per evitare malfunzionamenti del sistema.
- **Messa a terra del telaio:** È consentita una messa a terra a parte per il telaio, giacché è isolato dai morsetti positivo e negativo.
- Il USA National Electrical Code (codice elettrico nazionale degli USA) (NEC) richiede l'utilizzo di un dispositivo esterno di protezione contro guasti di messa a terra (GFPD). Questi caricabatterie MPPT non dispongono di protezione interna contro guasti di messa a terra. Il polo elettrico negativo del sistema deve essere vincolato tramite un GFPD di messa a terra in una (e solo una) ubicazione.
- I poli positivo e negativo del pannello FV non devono essere messi a terra. Mettere a terra il telaio dei pannelli FV, per ridurre l'impatto dei fulmini.

AVVERTENZA: QUANDO INDICA UN GUASTO DI MESSA A TERRA, I MORSETTI DELLA BATTERIA E I CIRCUITI COLLEGATI POTREBBERO RISULTARE NON MESSI A TERRA E PERICOLOSI.

3.3. Configurazione FV (vedere anche le schede Excel del MPPT nel nostro sito web)

- Fornisce una soluzione per scollegare tutti i conduttori di corrente di una fonte di alimentazione fotovoltaica da tutti gli altri conduttori di un edificio o di un'altra struttura.
- Non si devono installare interruttori, disgiuntori magnetici o altri dispositivi, sia AC che CC, su un conduttore di terra se il funzionamento di tali interruttori, disgiuntori magnetici o altri dispositivi lascia il conduttore di terra non messo a terra mentre il sistema è sotto tensione.

EN

NL

FR

DE

ES

SE

IT

Appendix

- Il regolatore funziona solo se la tensione fotovoltaica supera la tensione della batteria (Vbat).
- Perché il regolatore si avvii la tensione fotovoltaica deve superare $V_{bat} + 5 V$. Successivamente la tensione fotovoltaica minima sarà $V_{bat} + 1 V$.
- Tensione fotovoltaica massima a circuito aperto: 75 V e 100 V rispettivamente

Ad esempio:

Batteria da 12 V e pannelli mono o policristallini collegati a un regolatore a 75 V

- Numero minimo di celle in serie: 36 (pannello da 12 V).
- Numero di celle suggerito ai fini della massima efficienza del regolatore: 72 (2 x pannelli da 12 V in serie o un pannello da 24 V).
- Massimo: 108 celle (3 x pannelli da 12 V in serie).

Batteria da 24 V e pannelli mono o policristallini collegati a un regolatore a 100 V

- Numero minimo di celle in serie: 72 (2 x pannelli da 12 V in serie o un pannello da 24 V).
- Massimo: 144 celle (4 x pannelli da 12 V in serie).

Osservazione: a bassa temperatura, la tensione a circuito aperto di un pannello solare a 108 celle potrebbe superare i 75 V e la tensione a circuito aperto di un pannello solare a 144 celle potrebbe superare i 100 V, secondo le condizioni ambiente e le specifiche delle celle. In questo caso, si deve ridurre il numero di celle in serie.

3.4 Sequenza di connessione dei cavi (vedere figura 3)

Primo: connettere i cavi al carico, assicurandosi che tutti i carichi siano spenti.

Secondo: connettere la batteria (ciò permette al regolatore di riconoscere il sistema di voltaggio).

Terzo: connettere il pannello solare (quando viene connesso con la polarità inversa, il regolatore si riscalda ma non carica la batteria).

Coppia: 0,75 Nm

Il sistema è ora pronto per l'utilizzo.

3.5 Configurazione del regolatore

La porta di comunicazione VE.Direct (vedere sez. 1.9) si può utilizzare per configurare il regolatore. (è necessaria la chiave elettronica dongle se si usa la app Bluetooth)

3.6 Uscita del carico (vedere le figure 1 e 2 alla fine del manuale)

La porta di comunicazione VE.Direct (vedere sez. 1.8) si può usare per configurare l'uscita del carico. (è necessaria la chiave elettronica dongle se si usa la app Bluetooth)

In alternativa, si può usare un ponticello per configurare l'uscita del carico come segue:

- **Senza ponticello:** Algoritmo BatteryLife (vedere 1.4)
- **Ponticello tra il pin 1 e il pin 2:** convenzionale
Bassa tensione di disconnessione del carico: 11,1 V o 22,2 V
Riconnessione automatica del carico: 13,1 V o 26,2 V
- **Ponticello tra il pin 2 e il pin 3:** convenzionale
Bassa tensione di disconnessione del carico: 11,8 V o 23,6 V
Riconnessione automatica del carico: 14 V o 28 V

È preferibile collegare direttamente alla batteria alcuni carichi con un'alta corrente di inserzione. Se è presente un controllo remoto di accensione-spegnimento, questi carichi si possono controllare collegando l'uscita del carico del regolatore a questo controllo remoto di accensione-spegnimento. Potrebbe essere necessario un cavo interfaccia speciale.

In alternativa, si può usare un BatteryProtect per controllare il carico. Vi preghiamo di vedere il nostro sito web per le specifiche.

Gli inverter a bassa potenza, come i **Phoenix VE.Direct** fino a 375 VA, possono essere alimentati direttamente dall'uscita del carico, ma la massima potenza di uscita sarà limitata dal limite di corrente dell'uscita del carico.

Gli inverter Phoenix VE.Direct possono anche essere controllati collegando la connessione sulla sinistra del telecomando all'uscita del carico.

Il ponte del telecomando tra destra e sinistra deve essere rimosso.

Gli inverter Victron Phoenix 12/800, 24/800, 12/1200 e 24/1200 possono essere controllati collegando direttamente il connettore di destra del telecomando dell'inverter all'uscita del carico (vedere la figura 4 alla fine del presente manuale).

Per i modelli Phoenix 12/180, 24/180, 12/350, 24/350 degli inverter Victron, il modello dell'inverter Phoenix Compact e i modelli MultiPlus Compact è necessario un cavo di interfaccia: il cavo Inverting remote on-off, numero articolo ASS030550100, vedere figura 5 alla fine del presente manuale.

3.7 LED

LED verde: indica quale algoritmo di controllo dell'uscita del carico è stato scelto.

On: uno dei due algoritmi di controllo dell'uscita del carico convenzionali (vedere Fig.2)

Lampeggiante: Algoritmo di controllo dell'uscita del carico BatteryLife (vedere Fig.2)

LED giallo: segnala la sequenza della carica

Off: nessuna alimentazione dal pannello fotovoltaico (o pannello fotovoltaico connesso con polarità inversa)

Lampeggiante veloce: prima fase di carica (batteria parzialmente carica)

Lampeggiante lento: carica in fase di assorbimento (batteria carica all'80 % o più)

On: carica in fase di mantenimento (batteria completamente carica)

Per ottenere le ultime e più aggiornate informazioni, riguardo i codici di lampeggiamento, vi preghiamo di vedere la app Toolkit di Victron. Cliccare sul o scansionare il codice QR per entrare in Victron Support e poi nella pagina Download/Software.



3.8 Informazioni sul caricamento della batteria

Il regolatore di carica inizia un nuovo ciclo di carica ogni mattina, quando sorge il sole.

Batterie piombo-acido: metodo per difetto per determinare durata e termine dell'assorbimento

Il comportamento dell'algoritmo di carica degli MPPT è diverso da quello dei caricabatterie collegati alla CA. Vi preghiamo di leggere attentamente questa sezione del manuale per capire il comportamento del MPPT e di seguire sempre le raccomandazioni del fabbricante delle vostre batterie.

Il tempo di assorbimento è determinato per difetto dalla tensione inattiva della batteria all'inizio di ogni giorno, in base alla seguente tabella:

Tensione della batteria V_b (@avvio)	Moltiplicatore	Tempo massimo di assorbimento
$V_b < 11,9 \text{ V}$	x 1	6h
$11,9 \text{ V} < V_b < 12,2 \text{ V}$	x 2/3	4h
$12,2 \text{ V} < V_b < 12,6 \text{ V}$	x 1/3	2h
$V_b > 12,6 \text{ V}$	x 1/6	1h

(valori per 12 V, regolare per 24 V)

Tensione di assorbimento per difetto: 14,4 V

Tensione di mantenimento per difetto: 13,8 V

Il contatore del tempo di assorbimento si avvia quando si cambia da prima fase ad assorbimento.

I Caricatori solari MPPT, inoltre, terminano l'assorbimento e passano a mantenimento quando la corrente della batteria scende al di sotto di una soglia limite di bassa corrente, detta "corrente di coda".

Il valore per difetto della corrente di coda è di 1 A.

Per i modelli con un'uscita del carico, si utilizza la corrente dei morsetti della batteria, e per i modelli più grandi, si usa la corrente dei morsetti dell'uscita.

Le impostazioni per difetto (tensioni, moltiplicatore del tempo di assorbimento e corrente di coda) si possono modificare nella app VictronConnect tramite Bluetooth (è necessaria una chiave elettronica dongle VE.Direct Bluetooth Smart) oppure tramite VE.Direct.

Esistono due eccezioni per il normale funzionamento:

3. Se si utilizza in un sistema ESS, l'algoritmo del caricatore solare non è attivo e segue la curva in base a quanto richiesto dall'inverter/caricabatterie.
4. Per le batterie al litio CAN-bus, come le BYD, la batteria stessa dice al sistema, compreso il caricatore solare, quale tensione di carica usare. Questo Limite di Tensione di Carica (CVL) in alcune batterie è persino dinamico: cambia nel tempo, in base, ad esempio, alla tensione massima della cella del pacchetto e ad altri parametri.

Variazioni rispetto al comportamento previsto

5. Arresto del contatore del tempo di assorbimento

Il contatore del tempo di assorbimento si avvia quando si raggiunge la tensione di assorbimento configurata e si arresta quando la tensione in uscita è inferiore alla tensione di assorbimento configurata.

Tale caduta di tensione può avvenire, ad esempio, quando la potenza del FV (a causa di nubi, alberi, ponti) è insufficiente per caricare la batteria e alimentare i carichi.

Quando il temporizzatore dell'assorbimento si arresta, il LED di assorbimento lampeggia molto lentamente.

6. Riavvio del processo di carica

L'algoritmo di carica si ripristina se la ricarica si arresta per un'ora. Ciò può accadere

quando la tensione del FV cade al di sotto della tensione batteria a causa di maltempo, ombre o fenomeni simili.

7. Batterie in carica o scariche prima che inizi la ricarica solare

Il tempo di assorbimento automatico dipende dalla tensione della batteria di avviamento (vedere la tabella). La stima di tale tempo di assorbimento può essere erronea se è presente una sorgente di carica aggiuntiva (as es., un alternatore) o un carico nelle batterie.

Questo è un problema inerente l'algoritmo per difetto. Ad ogni modo, nella maggior parte dei casi è più consigliabile di un tempo di assorbimento fisso, indipendentemente da altre sorgenti di carica o dallo stato delle batterie.

È possibile sovrascrivere l'algoritmo di assorbimento per difetto, impostando un tempo di assorbimento fisso quando si programma il regolatore di carica solare.

Tenere presente che ciò può causare una sovraccarica delle batterie. Vi preghiamo di vedere le impostazioni raccomandate dal produttore delle batterie.

8. Tempo di assorbimento determinato dalla corrente di coda

In alcune applicazioni potrebbe essere preferibile determinare il tempo di assorbimento esclusivamente in base alla corrente di coda. A tale fine, si deve aumentare il moltiplicatore del tempo di assorbimento per difetto.

(attenzione: la corrente di coda delle batterie al piombo-acido non scende a zero quando le batterie sono completamente cariche, e tale corrente di coda "residuale" può aumentare sensibilmente quando le batterie invecchiano)

Impostazioni per difetto, batterie LiFePO4

Per prevenire guasti prematuri, le batterie LiFePO4 non devono essere necessariamente completamente cariche.

L'impostazione predefinita della tensione di assorbimento è di 14,2 V (28,4 V).

E l'impostazione predefinita del tempo di assorbimento è di 2 ore.

Impostazione di mantenimento predefinita: 13,2 V (26,4 V).

Tali impostazioni sono regolabili.

Ripristino dell'algoritmo di carica:

L'impostazione predefinita per riavviare il ciclo di carica è $V_{batt} < (V_{mantenimento} - 0,4 V)$, per le batterie piombo-acido, e $V_{batt} < (V_{mantenimento} - 0,1 V)$ per le batterie LiFePO4, durante 1 minuto.

(valori riferiti a batterie da 12 V; moltiplicare per due per quelle da 24 V)

3.9 Compensazione automatica

La compensazione automatica per difetto è impostata su "OFF". Tramite la app Victron Connect (vedere sez. 1.9), questa impostazione si può configurare con un numero compreso fra 1 (tutti i giorni) e 250 (una volta ogni 250 giorni).

Se la compensazione automatica è attiva, la carica di assorbimento viene seguita da un periodo a corrente costante limitato in tensione. La corrente è limitata all'8 % o al 25 % della corrente della prima fase di carica. La corrente della prima fase di carica è la corrente nominale del caricabatterie, se non si è scelta un'impostazione più bassa della corrente massima.

Se si utilizza un limite di corrente dell'8 %, la compensazione automatica termina quando si raggiunge il limite di tensione oppure dopo 1 ora, a seconda del valore raggiunto per primo. Altre impostazioni: la compensazione automatica termina dopo 4 ore.

Quando la compensazione automatica non termina completamente in un giorno, non riprenderà il giorno successivo e la seguente sessione di compensazione si verificherà in base all'intervallo giornaliero stabilito.

3.10 Porta di comunicazione VE.Direct

Vedere sezioni 1.9 e 3.5.

4. Risoluzione dei problemi

Problema	Possibile causa	Risoluzione
Il caricabatterie non funziona	Connessione fotovoltaica invertita	Connettere il fotovoltaico correttamente
	Nessun fusibile inserito	Inserire il fusibile 20 A
Fusibile guasto	Collegamento della batteria invertito	3. Connettere correttamente la batteria
La batteria non viene caricata appieno	Collegamento errato della batteria	Verificare il collegamento della batteria
	Perdite dei cavi troppo elevate	Usare cavi con sezione maggiore
	Notevole differenza di temperatura esterna tra il caricatore e la batteria ($T_{\text{ambient_caric}} > T_{\text{ambient_batt}}$)	Verificare che le condizioni ambientali del caricatore e della batteria siano le stesse
	<i>Solo per il sistema da 24 V:</i> selezione errata del sistema di voltaggio (12 V invece di 24 V) da parte del regolatore di carica	Impostare manualmente il regolatore sulla tensione del sistema richiesta (vedere sezione 1.8)
La batteria è sovraccarica	Una cella della batteria è difettosa	Sostituire la batteria
	Notevole differenza di temperatura esterna tra il caricatore e la batteria ($T_{\text{ambient_chrg}} < T_{\text{ambient_batt}}$)	Verificare che le condizioni ambientali del caricatore e della batteria siano le stesse
L'uscita carichi non diviene attiva	Limite massimo della corrente superato	Verificare che la corrente dell'uscita non superi i 15 A.
	È stato applicato un carico CC insieme ad un carico capacitivo (ad es. inverter)	Disconnettere il carico CC durante l'attivazione del carico capacitivo. Disconnettere il carico CA dall'inverter oppure connettere l'inverter come illustrato nella sezione 3.6
	Cortocircuito	Verificare la presenza di cortocircuito nel collegamento

5 Specifiche modelli da 75 V

Regolatore di carica BlueSolar	MPPT 75/10	MPPT 75/15
Tensione batteria	12/24 V con selezione automatica	
Corrente massima della batteria	10 A	15 A
Potenza fotovoltaica nominale, 12 V 1a,b)	145 W	220 W
Potenza fotovoltaica nominale, 24 V 1a,b)	290 W	440 W
Max. corrente di cortocircuito FV 2)	13 A	15 A
Disconnessione automatica del carico	Sì, carico massimo 15 A	
Massima tensione FV a circuito aperto	75 V	
Massimo rendimento	98 %	
Autoconsumo	12 V: 20 mA	24 V: 10 mA
Tensione di carica "assorbimento"	14,4 V / 28,8 V (regolabile)	
Tensione di carica "compensazione" 3)	16,2 V / 32,4 V (regolabile)	
Tensione di carica "mantenimento"	13,8 V / 27,6 V (regolabile)	
Algoritmo di carica	adattivo a più fasi o algoritmo definito dall'utente	
Compensazione temperatura	-16 mV / °C o -32 mV / °C	
Corrente continua di carico	15 A	
Tensione di disconnessione del carico	11,1 V / 22,2 V o 11,8 V / 23,6 V o algoritmo BatteryLife	
Riconnessione del carico per bassa tensione	13,1 V / 26,2 V o 14 V / 28 V o algoritmo BatteryLife	
Protezione	Corto circuito in uscita / Surriscaldamento	
Temperatura di esercizio	Da -30 a + 60 °C (uscita nominale massima fino a 40 °C)	
Umidità	100 %, senza condensa	
Altezza massima	5000 m (uscita massima nominale fino a 2000 m)	
Condizioni ambientali	Tipo uso interni 1, non condizionato	
Grado di contaminazione	PD3	
Porta di comunicazione dati	VE.Direct Consultare il libro bianco comunicazione dei dati sul nostro sito web	
CARCASSA		
Colore	Blu (RAL 5012)	
Morsetti di alimentazione	6 mm ² / AWG10	
Categoria protezione	IP43 (componenti elettronici) IP22 (zona di raccordo)	
Peso	0,5 kg	
Dimensioni (a x l x p)	100 x 113 x 40 mm	
NORMATIVE		
Sicurezza	EN/IEC 62109-1 / UL 1741 / CSA C22.2 NO.107.1-16	
1a) Se si collega più potenza fotovoltaica, il regolatore limiterà l'ingresso di potenza. 1b) La tensione fotovoltaica deve superare Vbat + 5 V perché il regolatore si avvii. Successivamente la tensione fotovoltaica minima sarà Vbat + 1 V. 2) Una corrente di cortocircuito più alta potrebbe danneggiare il regolatore in caso di connessione a polarità inversa del pannello fotovoltaico. 3) Impostazione predefinita: OFF		

EN

NL

FR

DE

ES

SE

IT

Appendix

Specifiche modelli da 100 V

Regolatore di carica BlueSolar	MPPT 100/15
Tensione batteria	12/24 V con selezione automatica
Corrente massima della batteria	15 A
Potenza fotovoltaica nominale, 12 V 1a,b)	220 W
Potenza fotovoltaica nominale, 24 V 1a,b)	440 W
Max. corrente di cortocircuito FV 2)	15 A
Disconnessione automatica del carico	Sì, carico massimo 15 A e 20 A rispet.
Massima tensione FV a circuito aperto	100 V
Massimo rendimento	98 %
Autoconsumo	12 V: 20 mA 24 V: 10 mA
Tensione di carica "assorbimento"	14,4 V / 28,8 V (regolabile)
Tensione di carica "compensazione"	16,2 V / 32,4 V (regolabile)
Tensione di carica "mantenimento"	13,8 V / 27,6 V (regolabile)
Algoritmo di carica	adattivo a più fasi o algoritmo definito dall'utente
Compensazione temperatura	-16 mV / °C o -32 mV / °C risp.
Corrente continua di carico	15 A
Tensione di disconnessione del carico	11,1 V / 22,2 V o 11,8 V / 23,6 V o algoritmo BatteryLife
Riconnessione del carico per bassa tensione	13,1 V / 26,2 V o 14 V / 28 V o algoritmo BatteryLife
Protezione	Corto circuito in uscita / Surriscaldamento
Temperatura di esercizio	Da -30 a +60 °C (uscita nominale massima fino a 40 °C)
Umidità	100 %, senza condensa
Altezza massima	5000 m (uscita massima nominale fino a 2000 m)
Condizioni ambientali	Tipo uso interni 1, non condizionato
Grado di contaminazione	PD3
Porta di comunicazione dati	VE.Direct Consultare il libro bianco comunicazione dei dati sul nostro sito web
CARCASSA	
Colore	Blu (RAL 5012)
Morsetti di alimentazione	6 mm ² / AWG10
Categoria protezione	IP43 (componenti elettronici) IP22 (zona di raccordo)
Peso	0,6 kg
Dimensioni (a x l x p)	100 x 113 x 50 mm
NORMATIVE	
Sicurezza	EN/IEC 62109-1, UL 1741, CSA C22.2
<p>1a) Se si collega più potenza fotovoltaica, il regolatore limiterà l'ingresso di potenza. 1b) La tensione fotovoltaica deve superare Vbat + 5 V perché il regolatore si avvii. Successivamente la tensione fotovoltaica minima sarà Vbat + 1 V.</p> <p>2) Una corrente di cortocircuito più alta potrebbe danneggiare il regolatore in caso di connessione a polarità inversa del pannello fotovoltaico.</p>	

Regolatore di carica BlueSolar	MPPT 100/20-48 V
Tensione batteria	24 / 24 / 48 V con selezione automatica
Corrente massima della batteria	20 A
Potenza fotovoltaica nominale, 48 V 1a,b)	1160 W (290 W / 580 W / 870 W)
Max. corrente di cortocircuito FV 2)	20 A
Disconnessione automatica del carico	Sì, carico massimo 20 A (12/24 V) e 0,1 A (36/48 V)
Massima tensione FV a circuito aperto	100 V
Massimo rendimento	98 %
Autoconsumo	25 / 15 / 15 mA
Tensione di carica "assorbimento"	14,4 V / 28,8 V / 43,2 V / 57,6 V (regolabile)
Tensione di carica "compensazione"	16,2 V / 32,4 V / 48,6 V / 64,8 V (regolabile)
Tensione di carica "mantenimento"	13,8 V / 27,6 V / 41,4 V / 55,2 V (regolabile)
Algoritmo di carica	adattivo a più fasi o algoritmo definito dall'utente
Compensazione temperatura	-16 mV/ °C / -32 mV/ °C / -48 mV/ °C / -64 mV/ °C
Corrente continua di carico 12/24 V	20 A
Corrente continua di carico 12/48 V	1 A
Tensione di disconnessione del carico	11,1 / 22,2 / 33,3 / 44,4 V o 11,8 / 23,6 / 35,4 / 47,2 V o algoritmo BatteryLife
Riconnessione del carico per bassa tensione	13,1 / 26,2 / 39,3 / 52,4 V o 14 / 28 / 42 / 56 V o algoritmo BatteryLife
Protezione	Corto circuito in uscita / Surriscaldamento
Temperatura di esercizio	Da -30 a + 60 °C (uscita nominale massima fino a 40 °C)
Umidità	100 %, senza condensa
Altezza massima	5000 m (uscita massima nominale fino a 2000 m)
Condizioni ambientali	Tipo uso interni 1, non condizionato
Grado di contaminazione	PD3
Porta di comunicazione dati	VE.Direct Consultare il libro bianco comunicazione dei dati sul nostro sito web
CARCASSA	
Colore	Blu (RAL 5012)
Morsetti di alimentazione	6 mm ² / AWG10
Categoria protezione	IP43 (componenti elettronici) IP22 (zona di raccordo)
Peso	0,65 kg
Dimensioni (a x l x p)	100 x 113 x 60 mm
NORMATIVE	
Sicurezza	EN/IEC 62109-1, UL 1741, CSA C22.2
<p>1a) Se si collega più potenza fotovoltaica, il regolatore limiterà l'ingresso di potenza. 1b) La tensione fotovoltaica deve superare Vbat + 5 V perché il regolatore si avvii. Successivamente la tensione fotovoltaica minima sarà Vbat + 1 V. 2) Una corrente di cortocircuito più alta potrebbe danneggiare il regolatore in caso di connessione a polarità inversa del pannello fotovoltaico.</p>	

Figure 1a: configuration pins of the VE.Direct communication port, 75V models

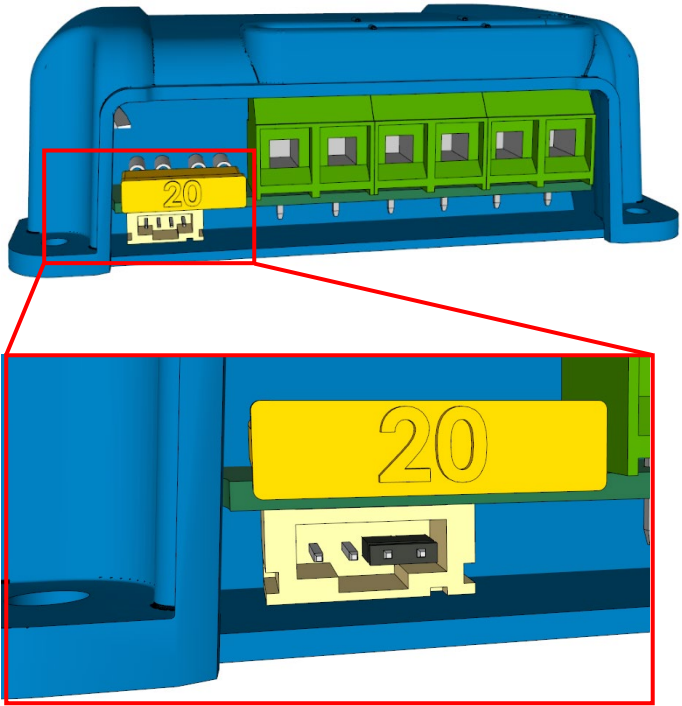


Figure 1b: pin numbering of the VE.Direct communication port.

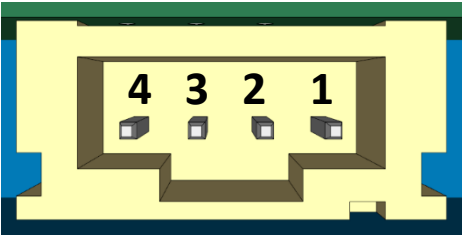


Figure 2a: configuration pins of the VE.Direct communication port, 100V model

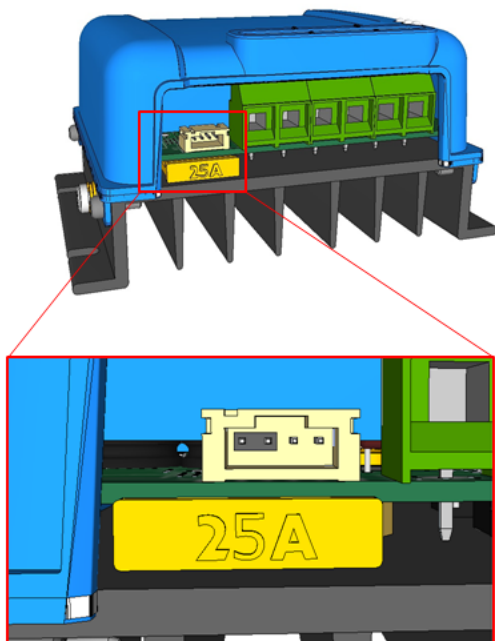


Figure 2b: pin numbering of the VE.Direct communication port, 100V model

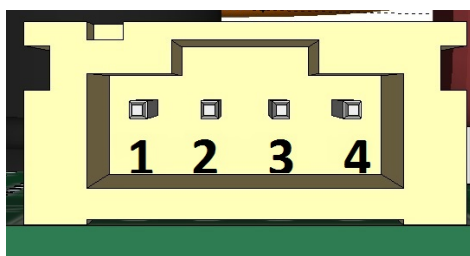


Figure 3: Battery management options

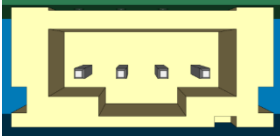

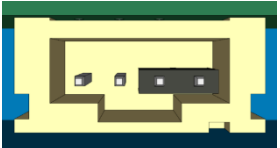
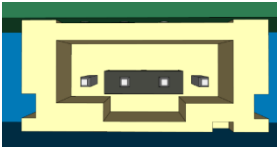
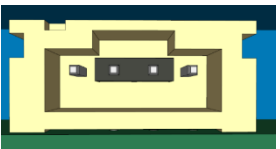
<p>EN: No bridge: BatteryLife algorithm NL: Geen brug: BatteryLife algoritme FR: Pas de pont : Algorithme BatteryLife DE: Keine Überbrückung: BatteryLife Algorithmus ES: Ningún puente: algoritmo BatteryLife SE: Ingen brygga: BatteryLife-algoritm</p>	
<p>EN: Bridge between pin 1 and 2: Low voltage disconnect: 11.1V or 22.2V Automatic load reconnect: 13.1V or 26.2V</p> <p>NL: Brug tussen pin 1 en 2: Belastingsontkoppeling bij lage spanning: 11,1 V of 22,2 V Automatische belastingsherkoppeling: 13,1 V of 26,2 V</p> <p>FR: Pont entre broche 1 et 2 : Déconnexion en cas de tension réduite : 11,1 V ou 22,2 V Reconnexion automatique de la charge : 13,1 V ou 26,2 V</p> <p>DE: Überbrückung zwischen Pol 1 und Pol 2: Unterbrechung bei geringer Spannung: 11,1 V oder 22,2 V Automatisches Wiederanschießen: 13,1 V oder 26,2 V</p> <p>ES: Puente entre pines 1 y 2: Desconexión por baja tensión: 11,1 V o 22,2 V Reconexión automática de la carga: 13,1 V ó 26,2 V</p> <p>SE: Brygga mellan stift 1 och 2: Fränkoppling låg spänning: 11,1 V eller 22,2 V Automatiskt omkoppling av belastning: 13,1 V eller 26,2V</p>	<p>75V models</p>  <p>100V models</p> 
<p>EN: Bridge between pin 2 and 3: Low voltage disconnect: 11.8V or 23.6V Automatic load reconnect: 14.0V or 28.0V</p> <p>NL: Brug tussen pin 2 en 3: Belastingsontkoppeling bij lage spanning: 11,8V of 23,6V Automatische belastingsherkoppeling: 14,0V of 28,0V</p> <p>FR: Pont entre broche 2 et 3 : Déconnexion en cas de tension réduite : 11,8 V ou 23,6 V Reconnexion automatique de la charge : 14,0 V ou 28,0 V</p> <p>DE: Überbrückung zwischen Pol 2 und Pol 3: Unterbrechung bei geringer Spannungsbelastung: 11,0V oder 23,6V Automatisches Wiederanschießen der Last: 14,0V oder 28,0V</p> <p>ES: Puente entre pines 2 y 3: Desconexión por baja tensión: 11,8V ó 23,6V Reconexión automática de la carga: 14,0V ó 28,0V</p> <p>SE: Brygga mellan stift 2 och 3: Fränkoppling låg spänning: 11,8V eller 23,6V Automatiskt omkoppling av belastning: 14,0V eller 28,0V</p>	<p>75V models</p>  <p>100V models</p> 

Figure 4: Power connections

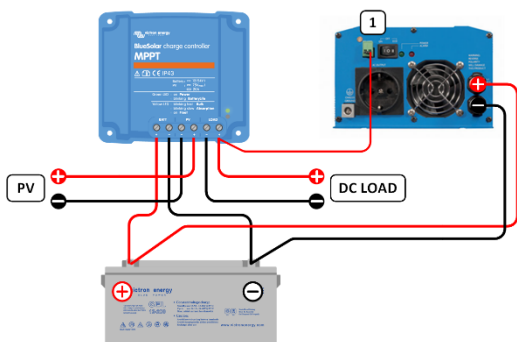
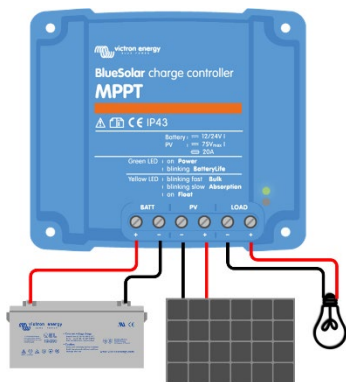
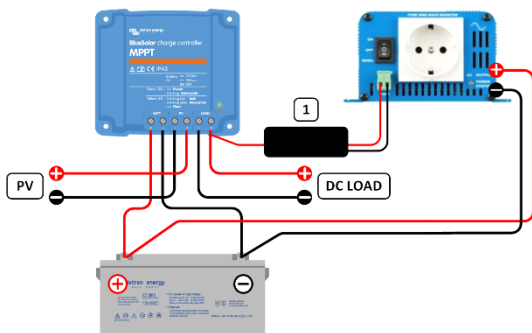


Figure 5: The Victron inverters model Phoenix 12/800, 24/800, 12/1200 and 24/1200 can be controlled by connecting the right side connection (1) of the inverter remote control directly to the solar charger load output.



Similarly, all **Phoenix VE.Direct** inverters can be controlled by connecting to the left side connection of the remote control

Figure 6: For the Victron inverters model Phoenix 12/180, 24/180, 12/350, 24/350, the Phoenix Inverter C models and the MultiPlus C models an interface **remote on-off cable** (article number ASS030550100)

Distributor:

Serial number:

Version : 04

Date : September 21st, 2020

Victron Energy B.V.
De Paal 35 | 1351 JG Almere
PO Box 50016 | 1305 AA Almere | The Netherlands

General phone : +31 (0)36 535 97 00
E-mail : sales@victronenergy.com

www.victronenergy.com